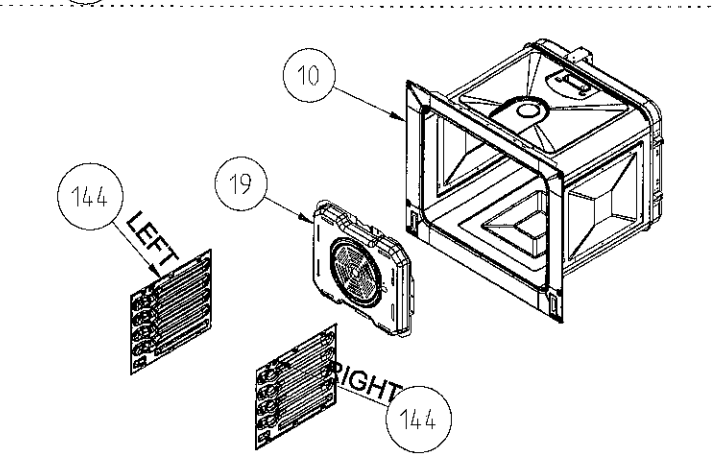
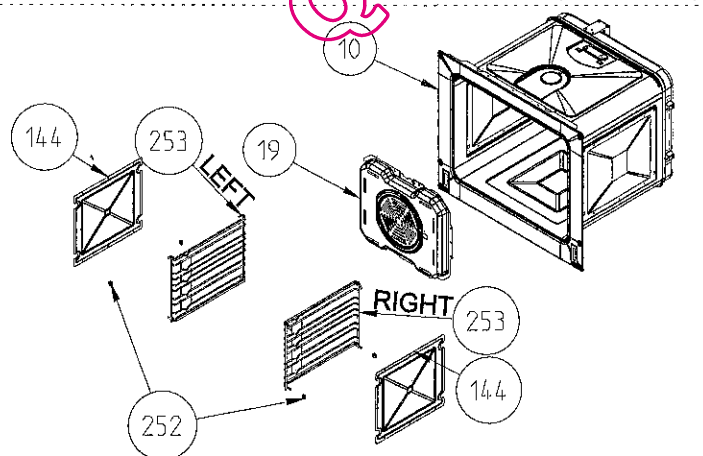
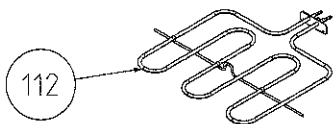


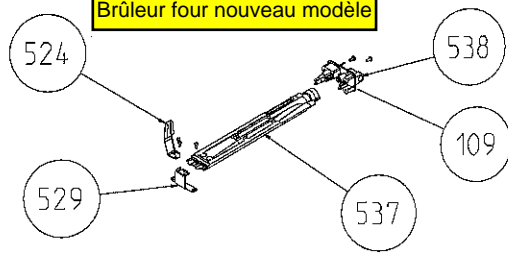
ONLY FOR ELECTRIC GRILL NEW G.FS GAS (OPTIONAL)





112

TOP AND GRILL HEATING ELEMENT
(OPTIONAL ONLY FOR
ELECTRIC GRILL NEW G.F.S GAS)



Brûleur four nouveau modèle

524

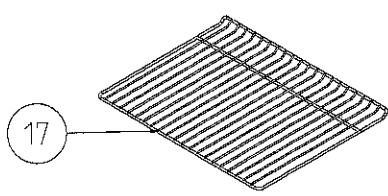
538

109

529

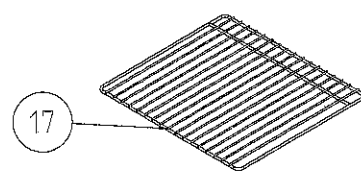
537

OVEN BURNER
(ONLY FOR NEW G.F.S GAS)



17

LOCKED



17

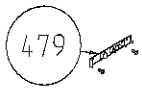
W. TELESCOPIC RAIL
GRID (OPTIONAL)



540

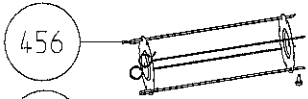
116

TURNSPIT HANDLE / SKEWER



479

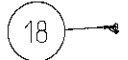
THERMIST BULB
HOLDER/BRACKET



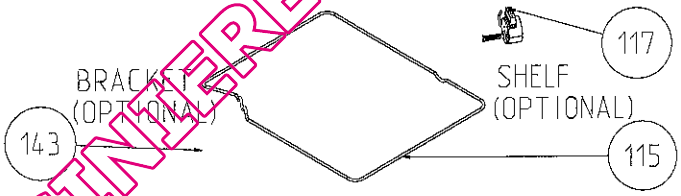
456

530

SHISH KEBAB
ACCESSORY (OPTIONAL)

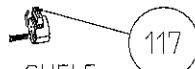


18



143

BRACKET
(OPTIONAL)

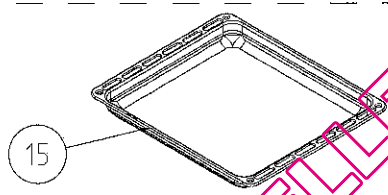


117

SHELF
(OPTIONAL)

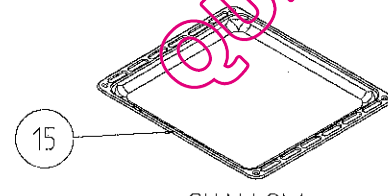
115

TURNSPIT (OPTIONAL)



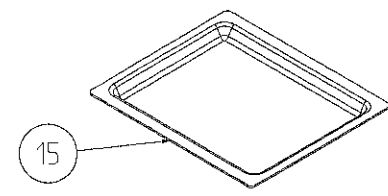
15

DEEP



15

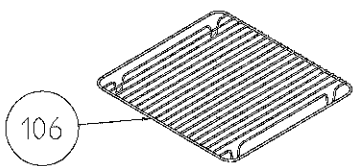
SHALLOW



15

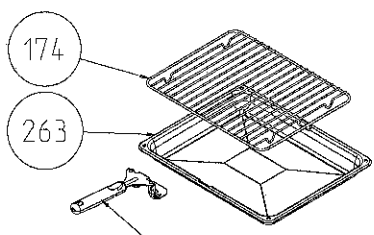
GLASS

TRAYS (OPTIONAL)



106

DEEP TRAY GRID (OPTIONAL)

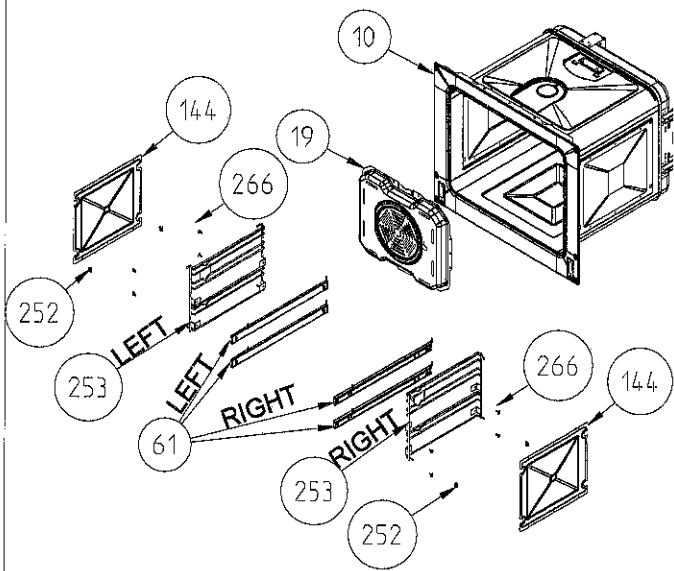


174

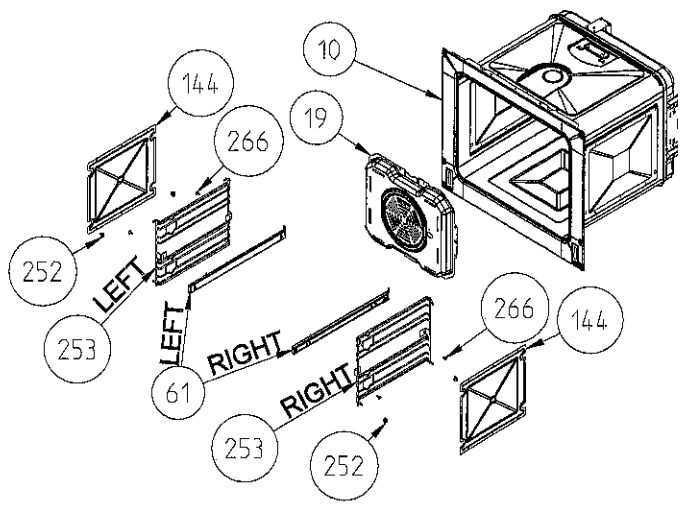
263

264

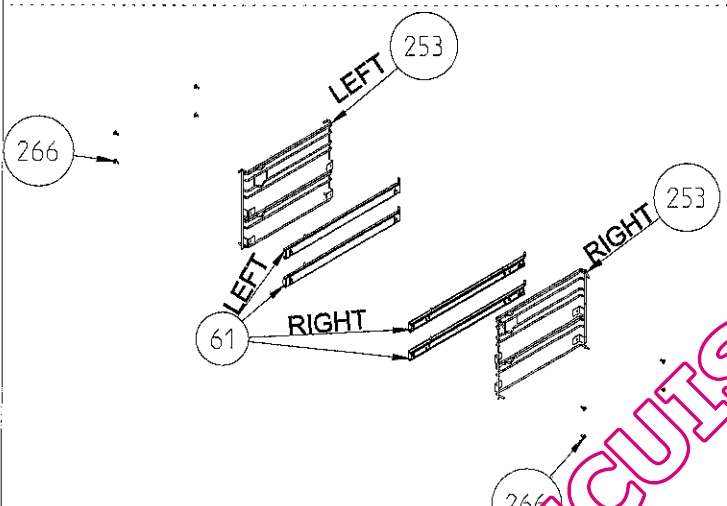
GRILL PAN AND HANDLE SET
(TRAY SET FOR GRILL) -
POSITION NO 265 (OPTIONAL)



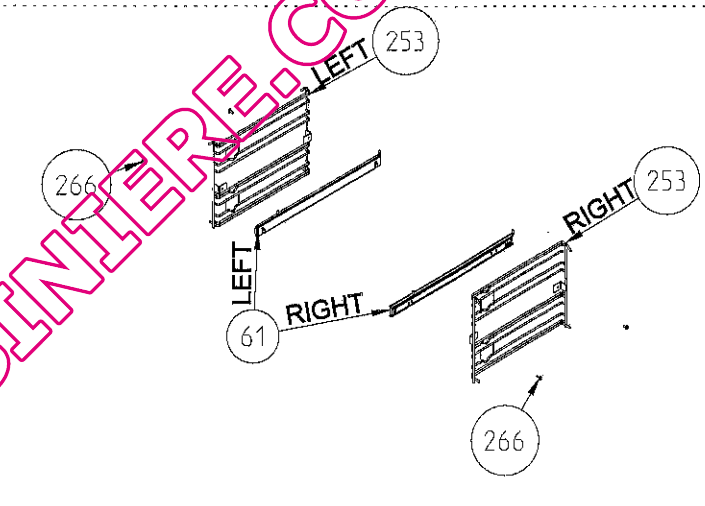
WIRE SHELF CAVITY ASSEMBLY
WITH/ WITHOUT CATALYTIC PANEL
OPTIONAL: DOUBLE TELESCOPIC RAIL (R / L)



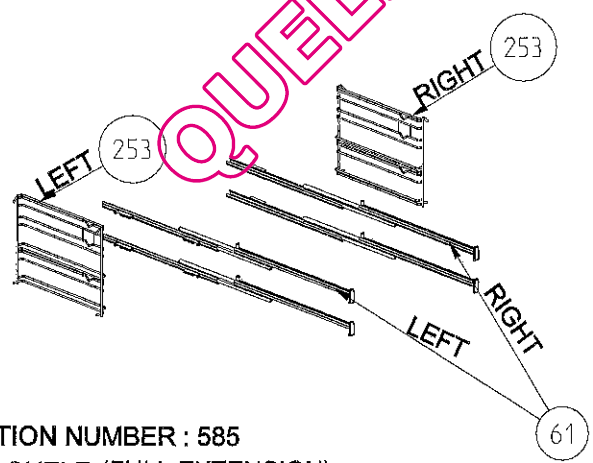
WIRE SHELF CAVITY ASSEMBLY
WITH/ WITHOUT CATALYTIC PANEL
OPTIONAL: TELESCOPIC RAIL (R / L)



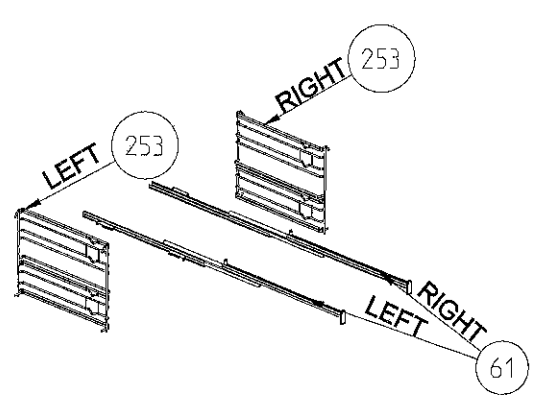
POSITION NUMBER : 587
WIRE SHELF (SINGLE EXTENSION)
OPTIONAL: DOUBLE TELESCOPIC RAIL (R / L) GROUP



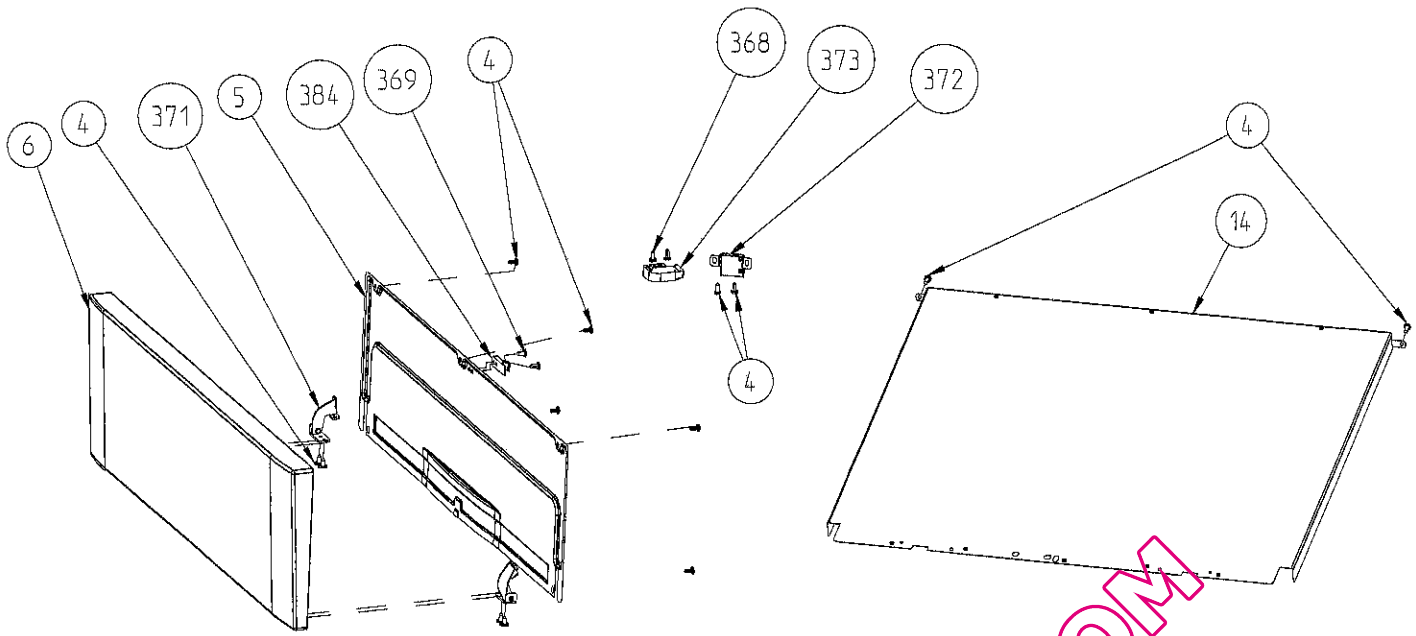
POSITION NUMBER : 588
WIRE SHELF (SINGLE EXTENSION)
OPTIONAL: SINGLE TELESCOPIC RAIL (R / L) GROUP



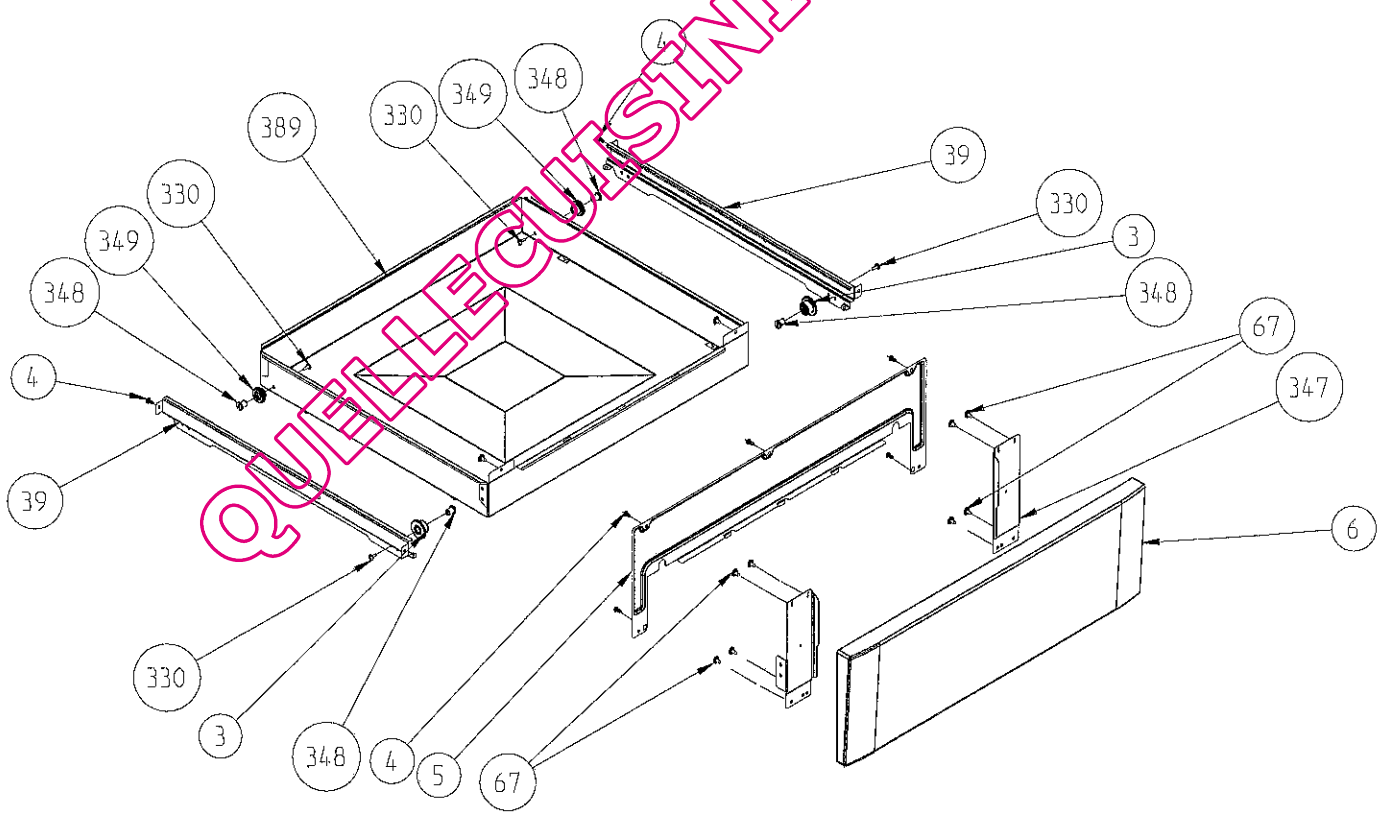
POSITION NUMBER : 585
WIRE SHELF (FULL EXTENSION)
OPTIONAL: DOUBLE TELESCOPIC RAIL (R / L) GROUP



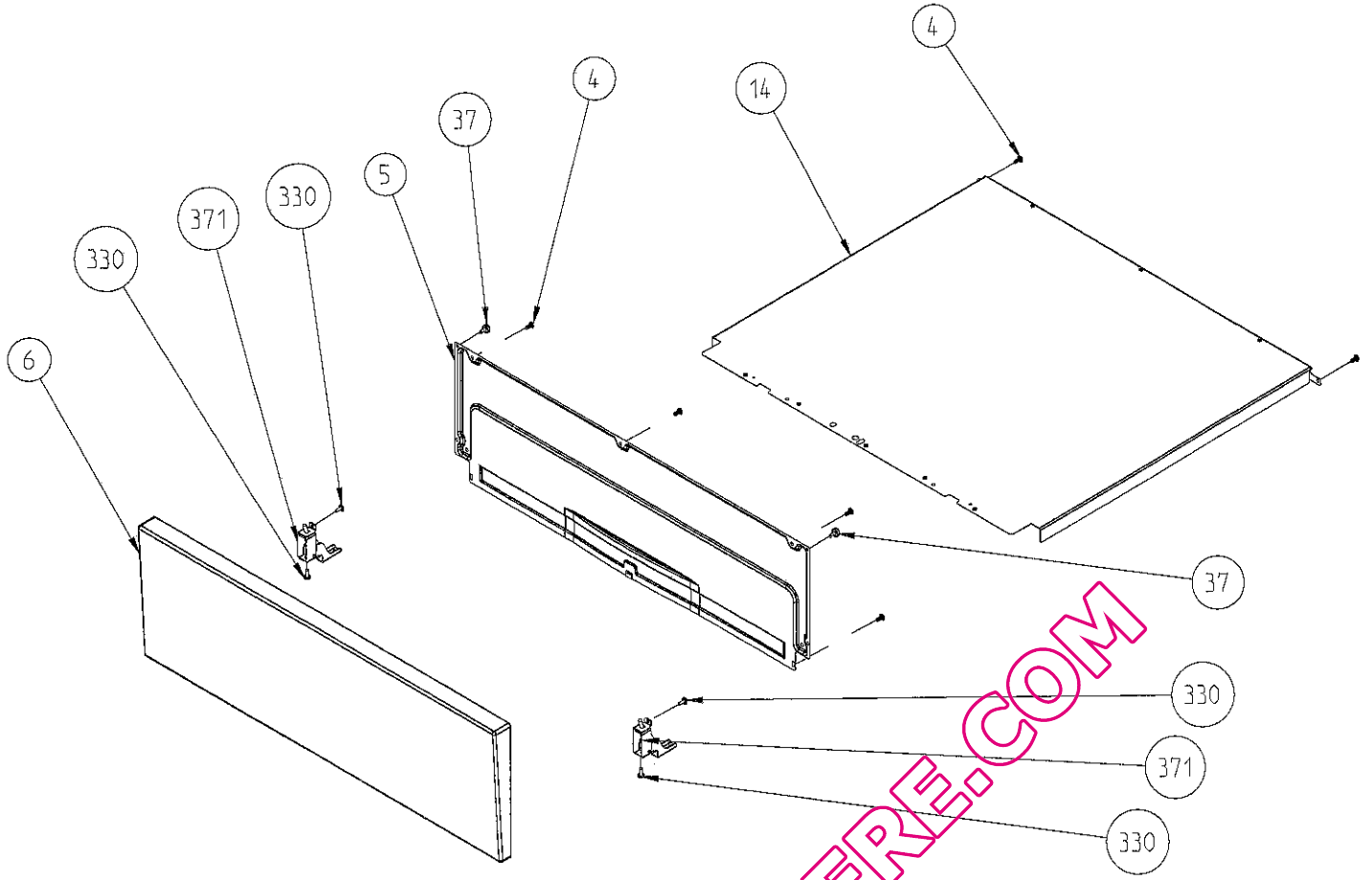
POSITION NUMBER: 586
WIRE SHELF (FULL EXTENSION)
OPTIONAL: SINGLE TELESCOPIC RAIL (R / L) GROUP



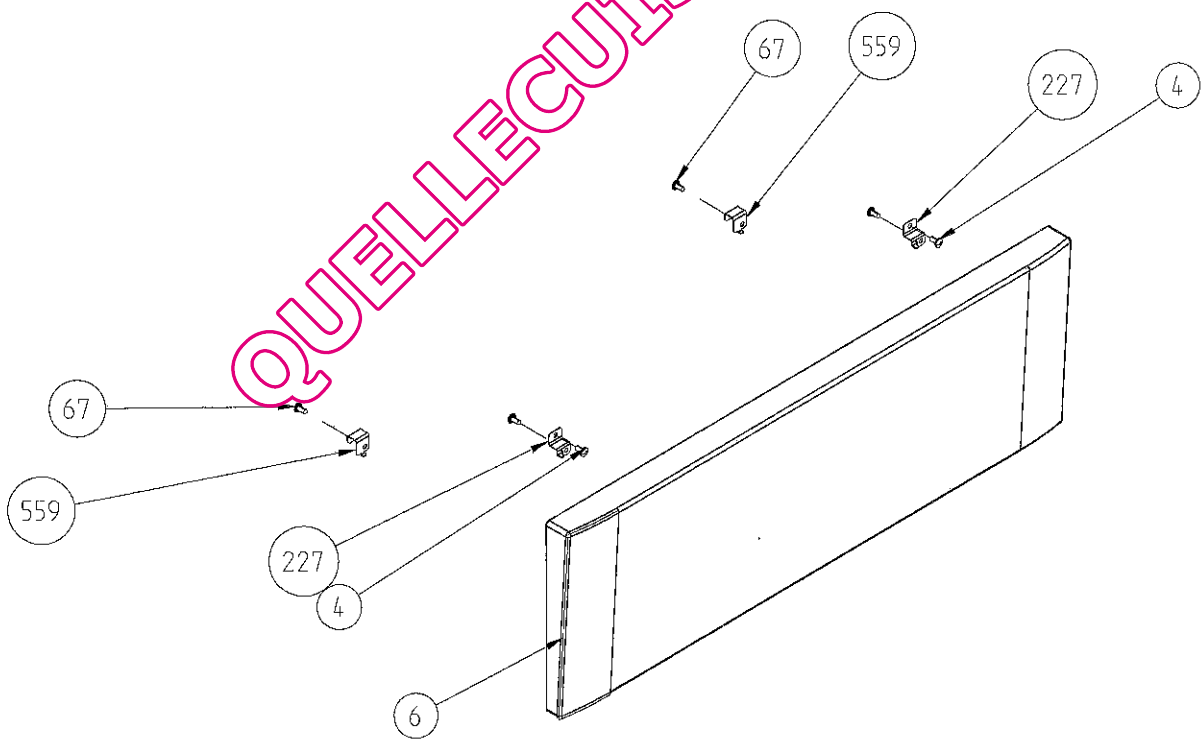
PUSH-PULL FLAP DRAWER ASSEMBLY
(OPTIONAL)



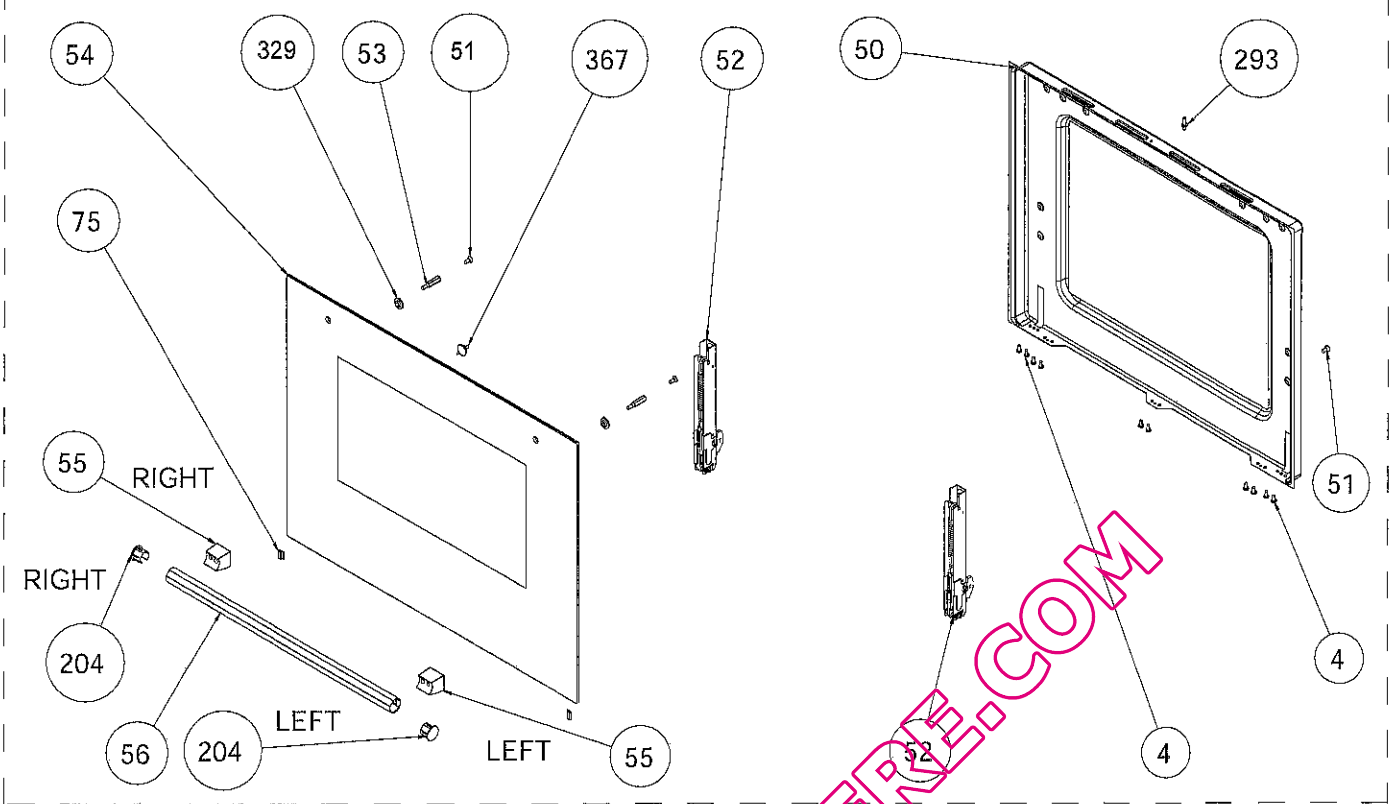
4WG DRAWER ASSEMBLY
(OPTIONAL)



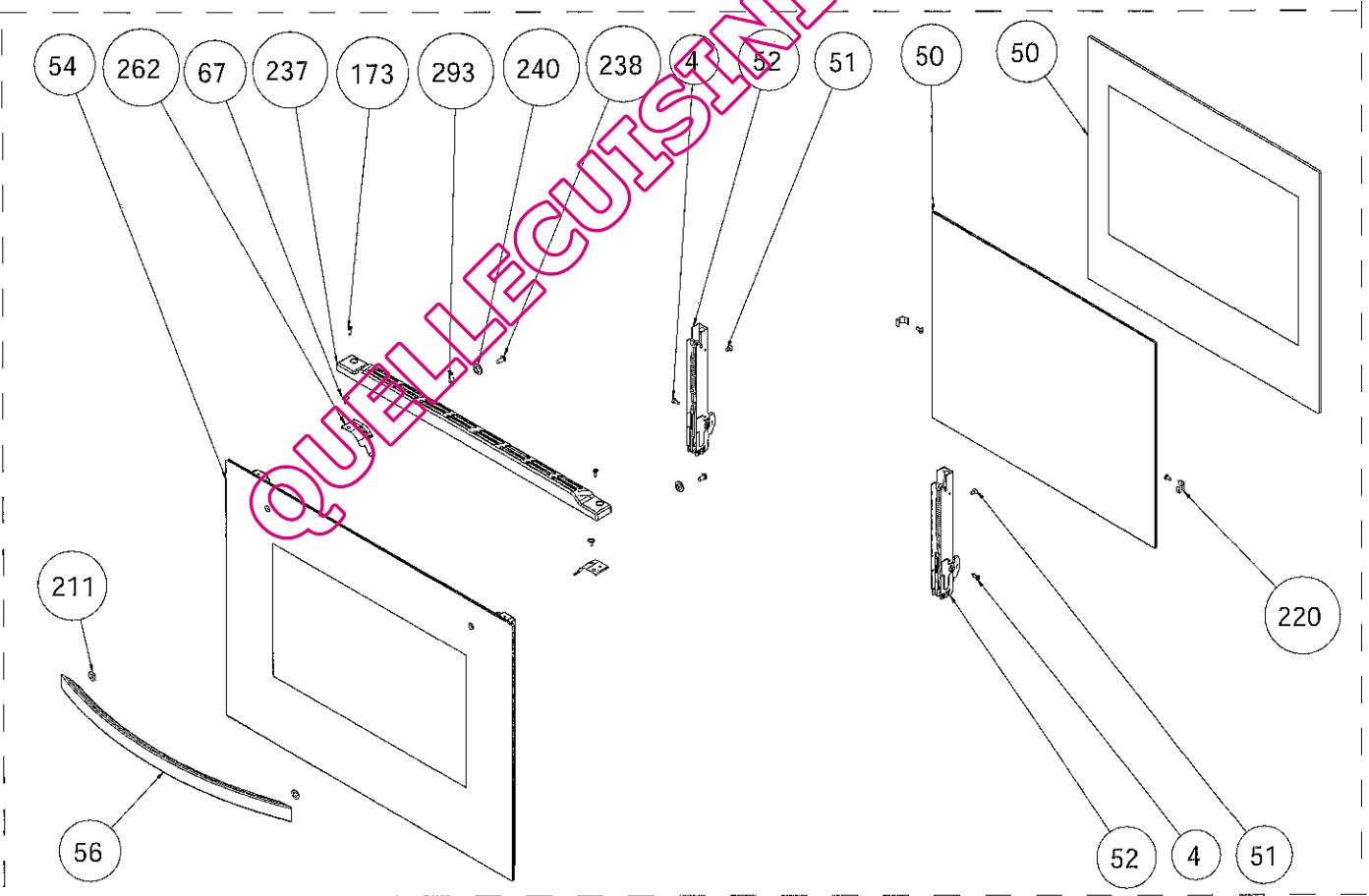
YNTB FLAP DRAWER ASSEMBLY



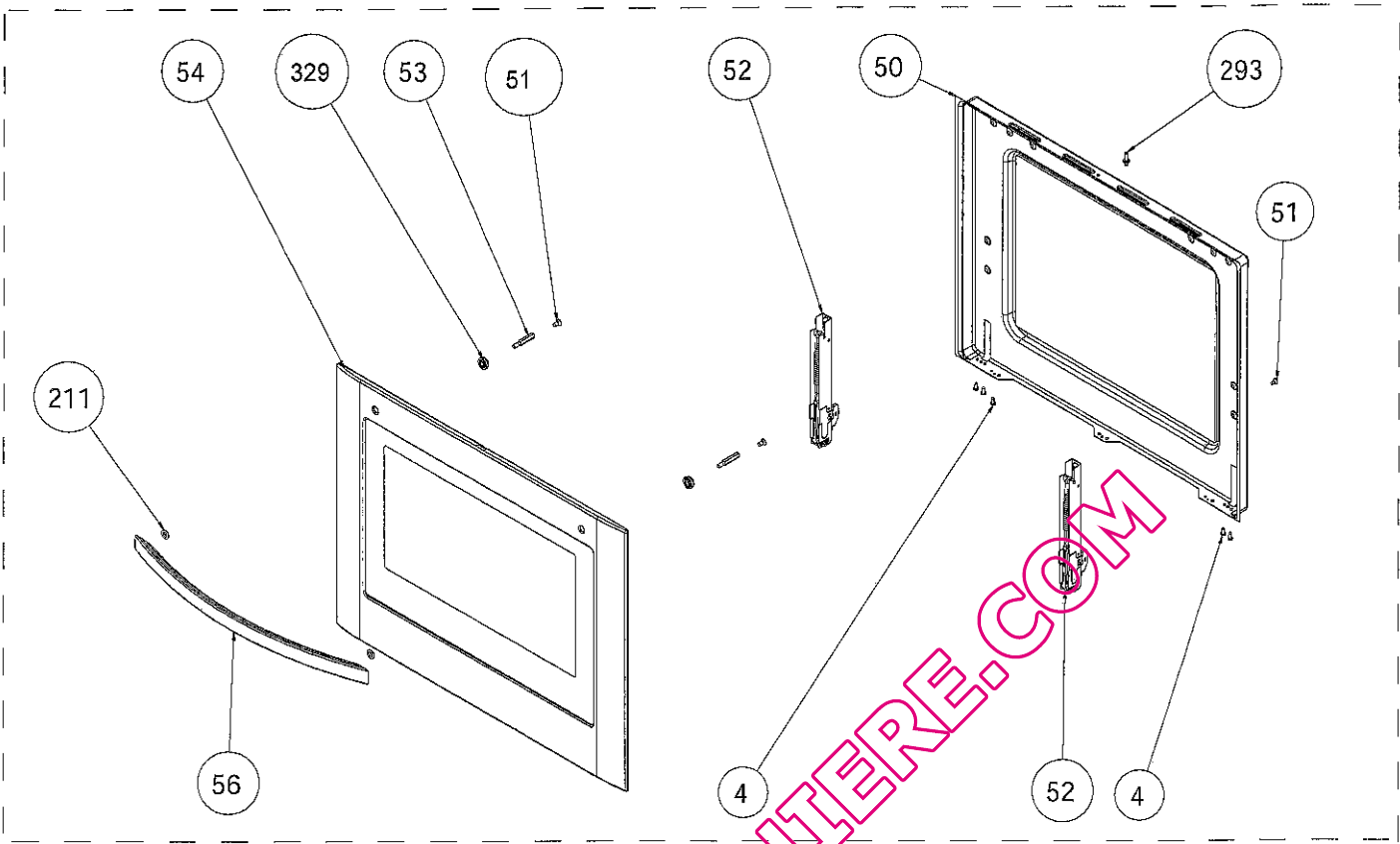
FIXED DRAWER ASSEMBLY
(OPTIONAL)



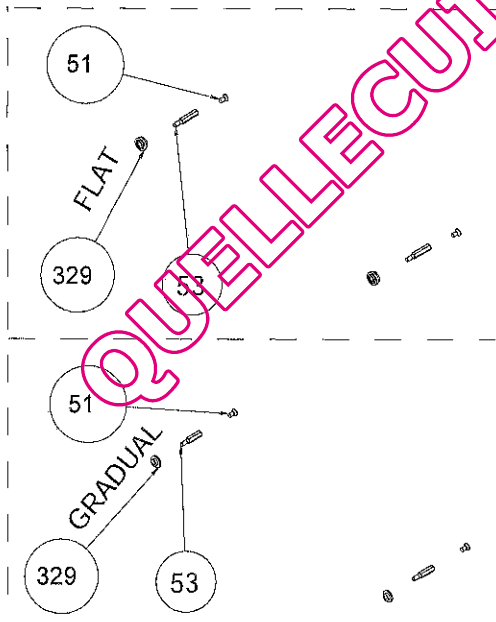
FLAT TYPE OVEN DOOR - POSITION NO 376 (OPTIONAL)



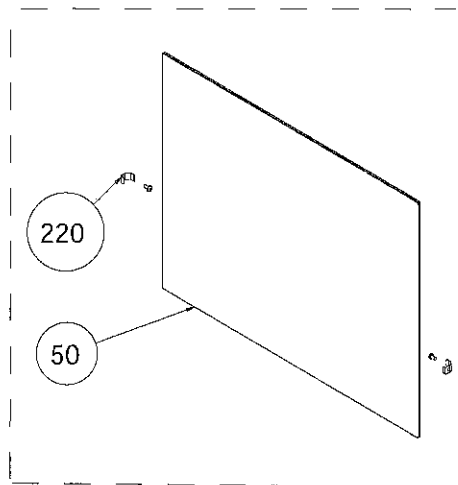
FLAT TYPE OVEN DOOR WITH FULL GLASS STRUCTURE - POSITION NO 377 (OPTIONAL)



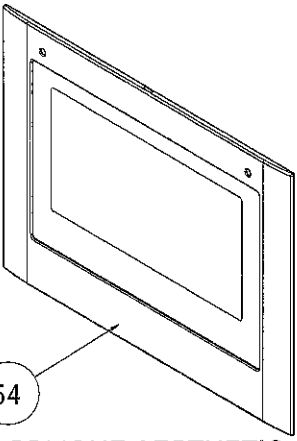
SOLID TYPE - POSITION NO 395 (OPTIONAL)



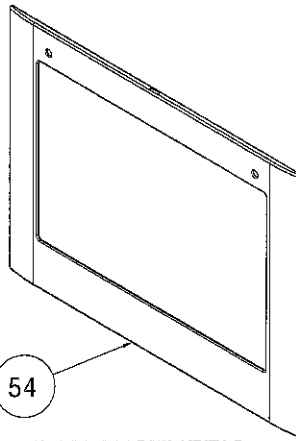
HANDLE ASSEMBLY GROUP -
POSITION NO 49
(OPTIONAL)



INTERVAL GLASS
(ONLY FOR FLAT TYPE OVEN DOOR
WITH FULL GLASS STRUCTURE)
(OPTIONAL)



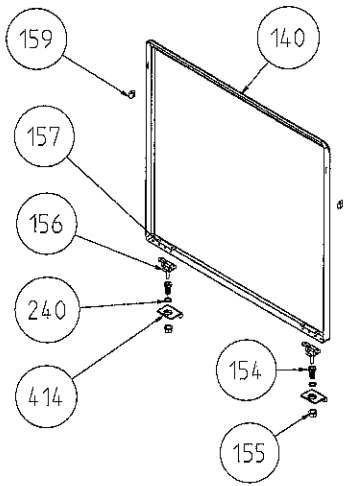
OBLIQUE AESTHETIC



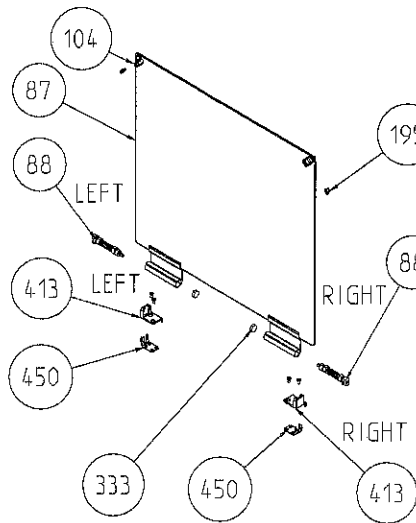
FLAT AESTHETIC

SOLID TYPE - POSITION NO 54 (OPTIONAL)

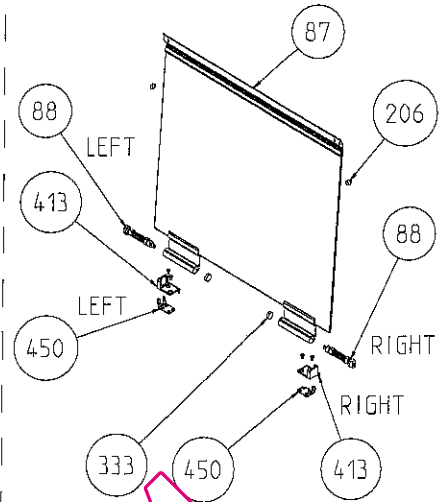
QUELLECUISINIERE.COM



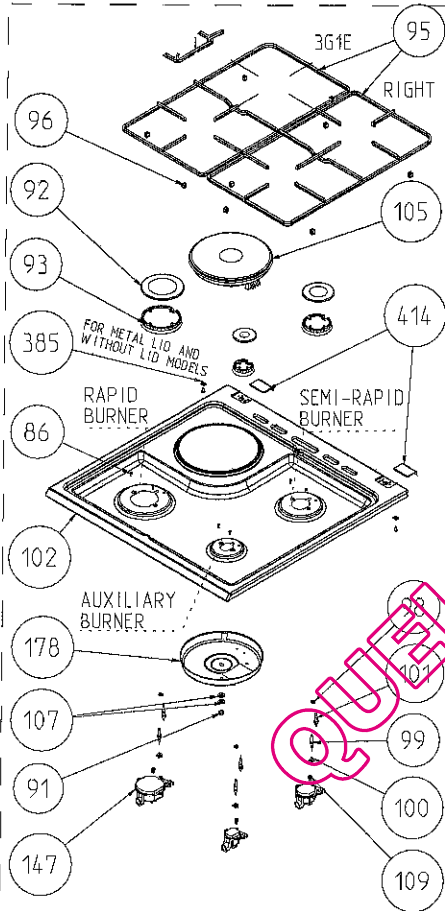
METAL LID OPTIONAL
(POSITION NO 153)



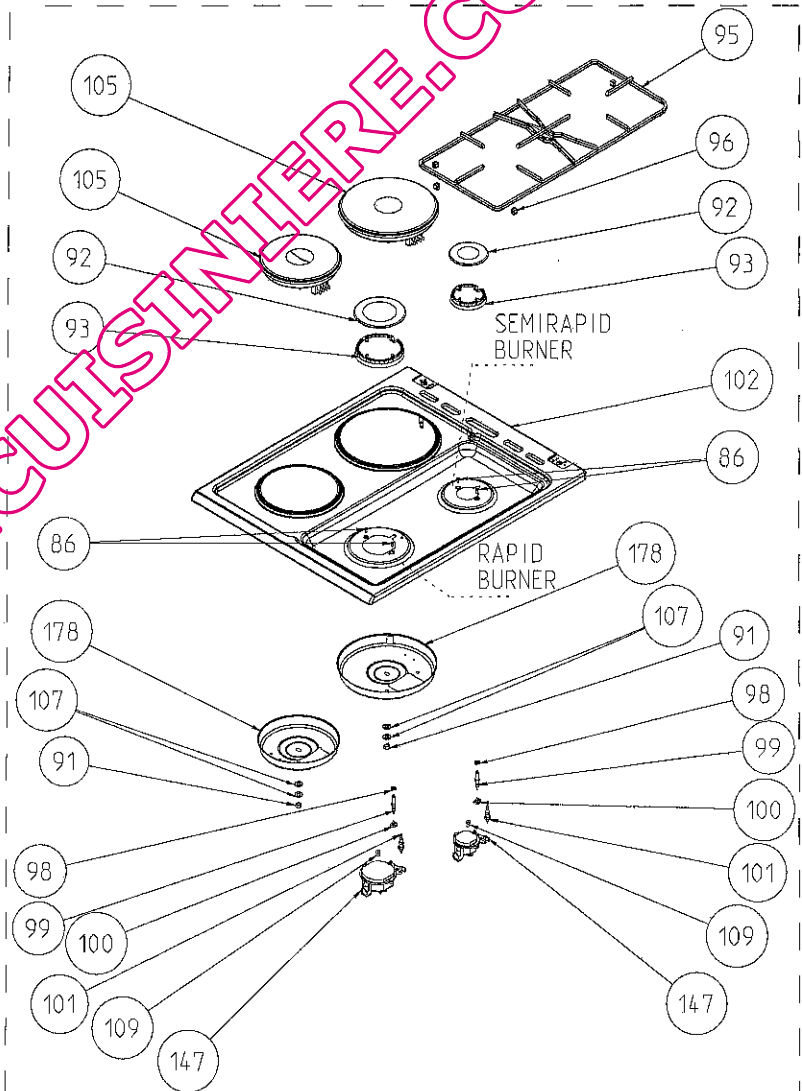
GLASS LID WITH BUMPER
OPTIONAL



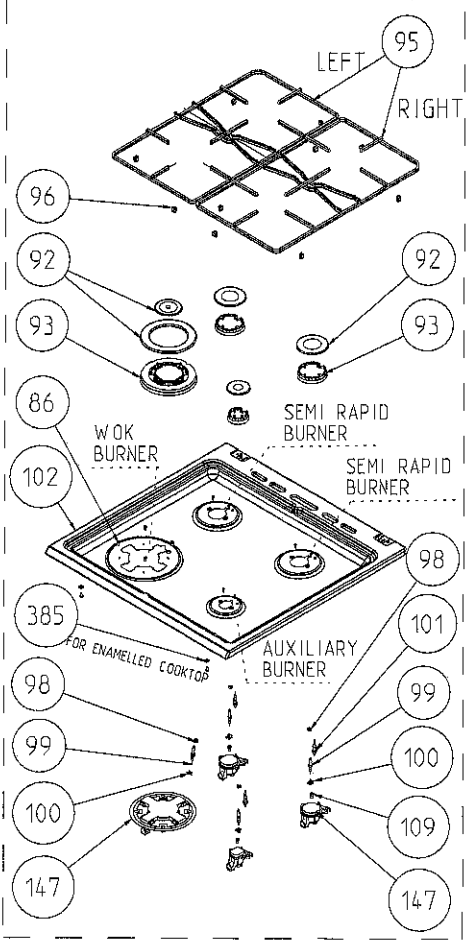
GLASS LID WITH SHORT PROFILE
(OPTIONAL)



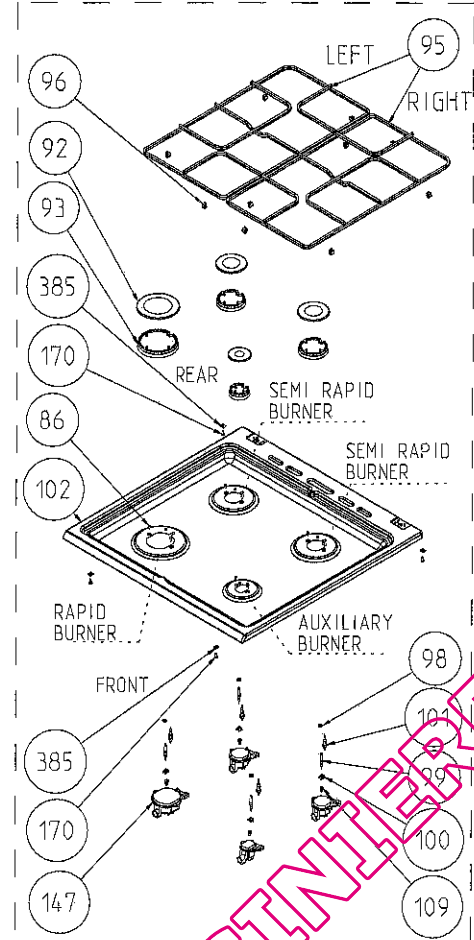
3 GAS + 1 ELECTRIC



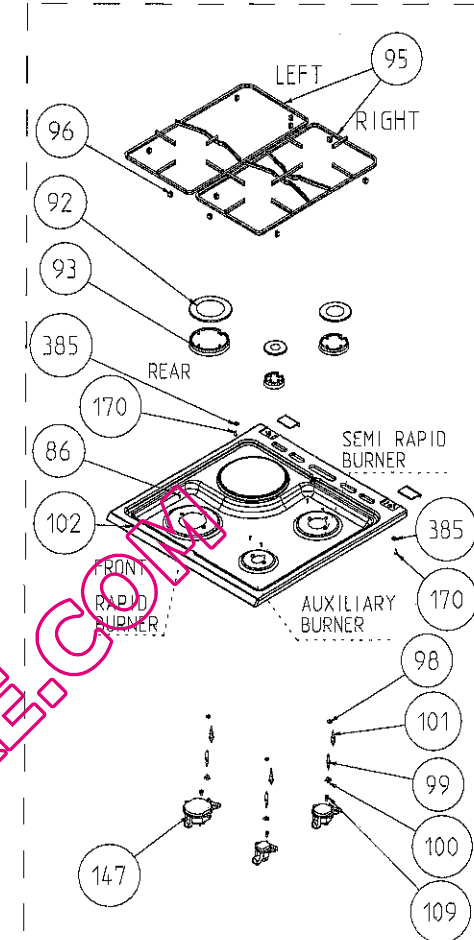
2 GAS + 2 ELECTRIC



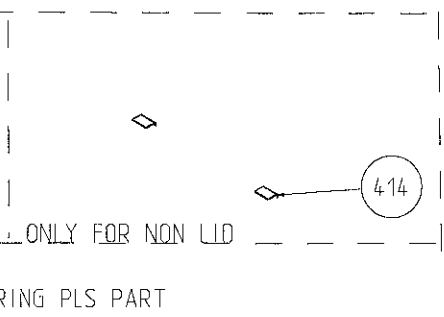
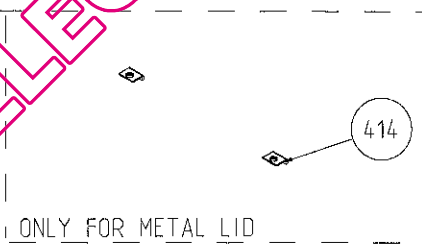
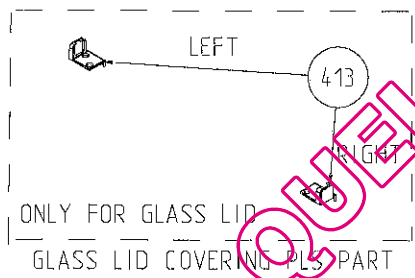
3 GAS+ 1 WOK BURNER



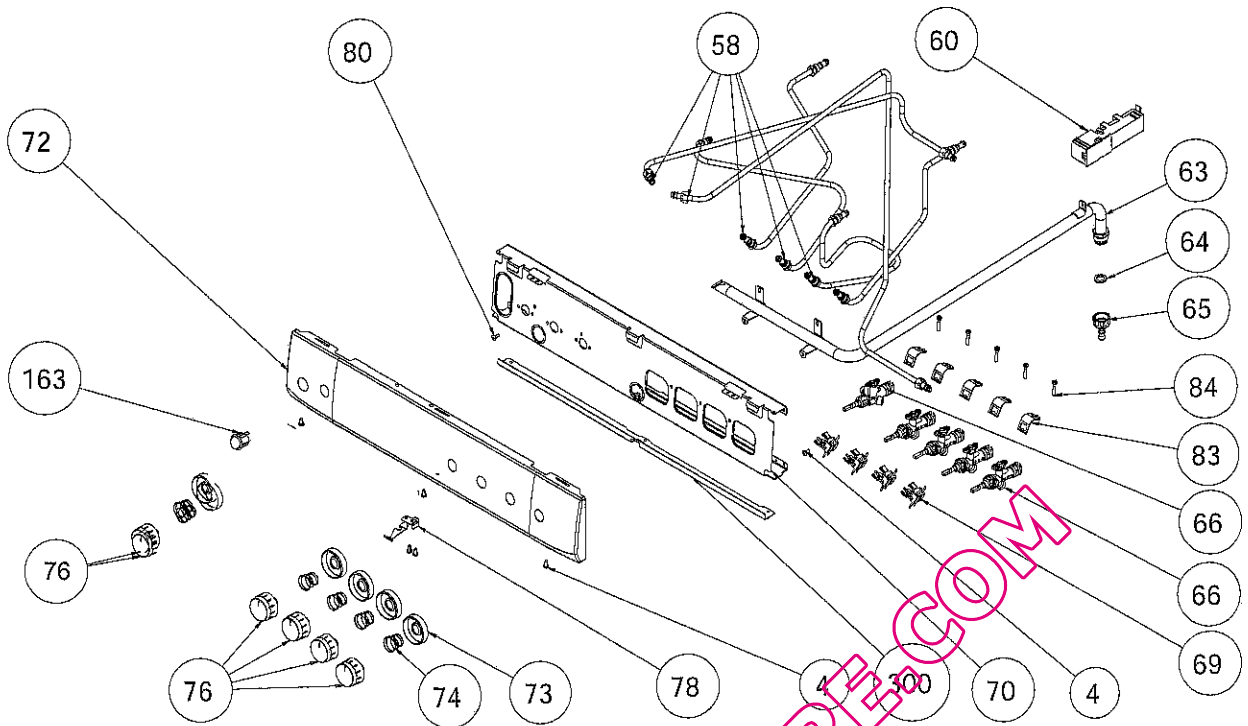
4 GAS



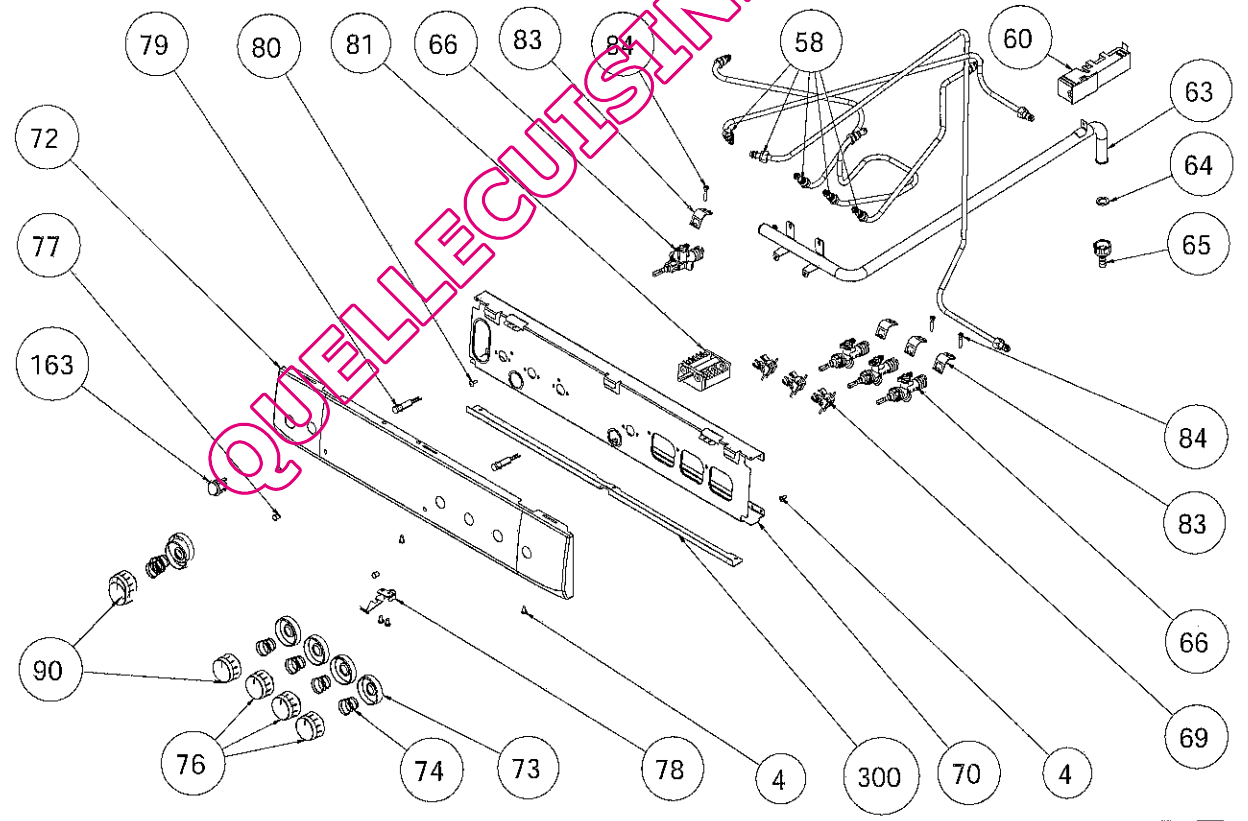
3 GAS



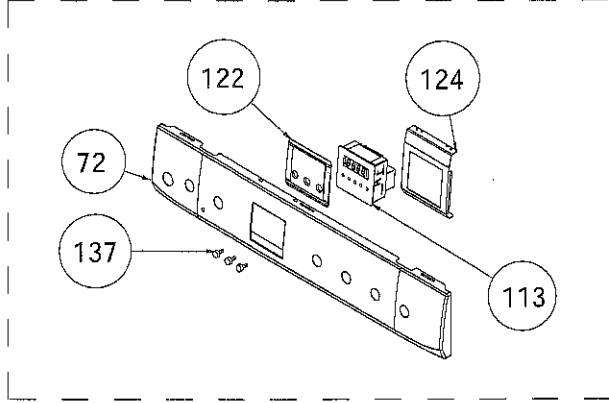
QUELLECUISINIERE.COM



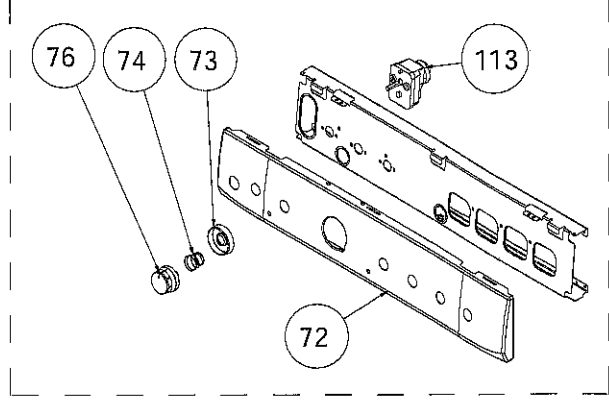
3D-5-GAS - NO TIMER CONTROL PANEL ASSEMBLY



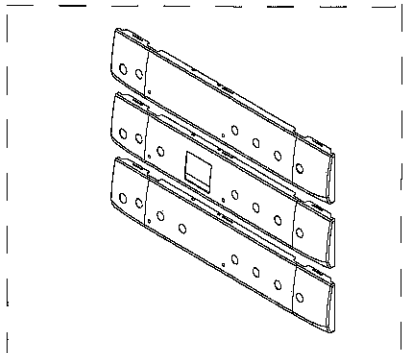
3D- 3GAS+1ELECTRIC - NO TIMER CONTROL PANEL ASSEMBLY



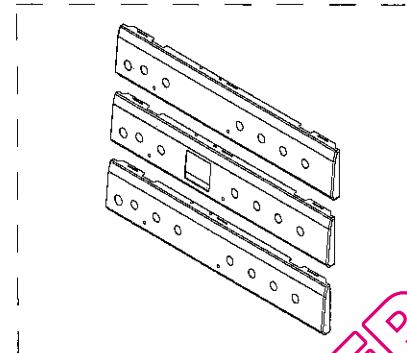
DIGITAL TIMER (OPTIONAL)



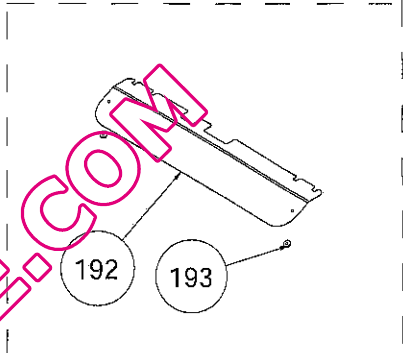
MECHANIC TIMER (OPTIONAL)



3D METAL CONTROL PANELS (OPTIONAL)

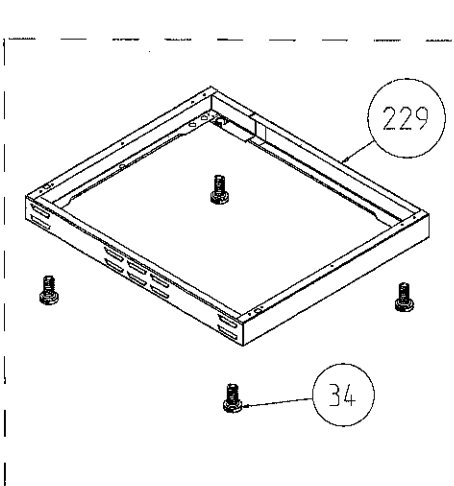


FLAT METAL CONTROL PANELS (OPTIONAL)

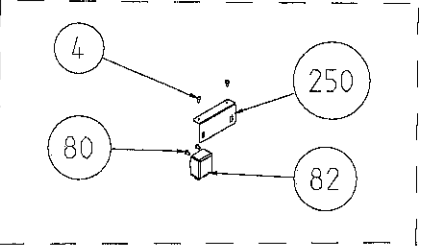


GRILL HEAT COVER (OPTIONAL)

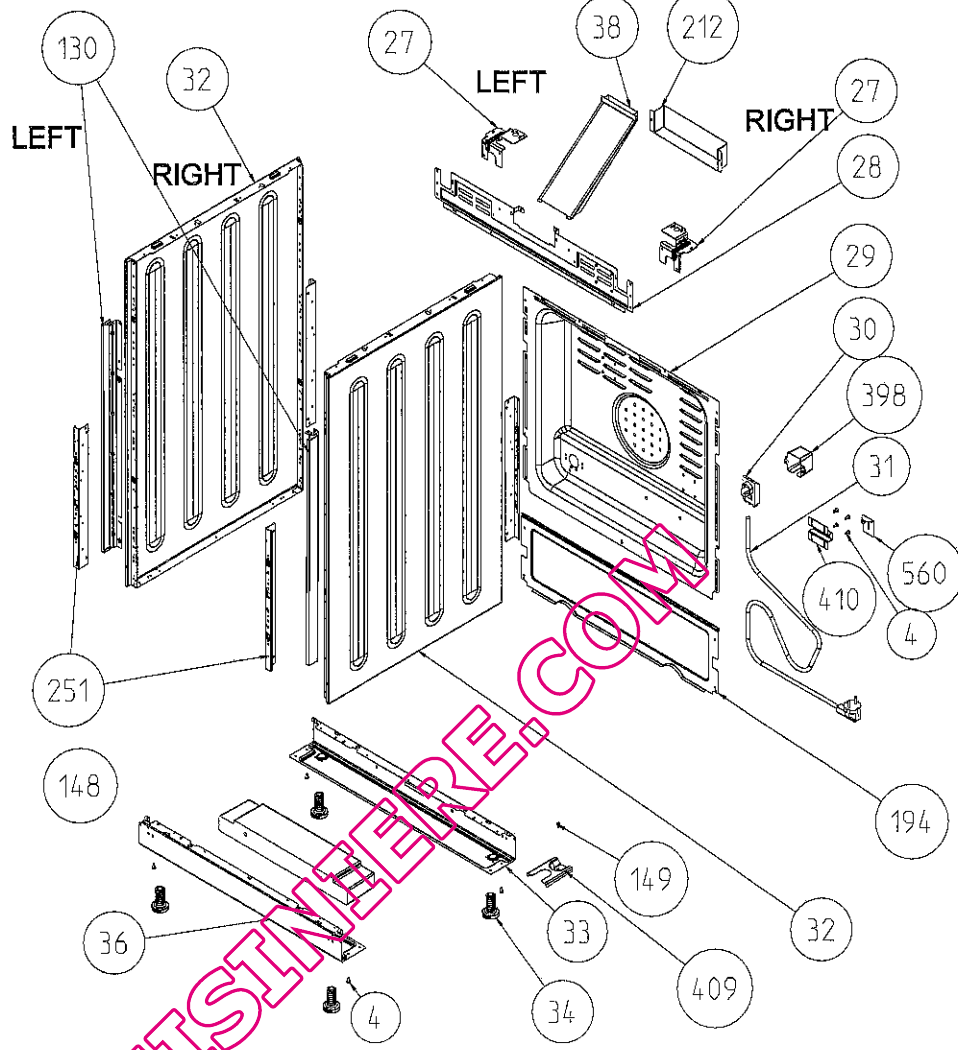
MIELE.COM



EXTRA BOTTOM SUPPORT
(WITH LOUVRES)



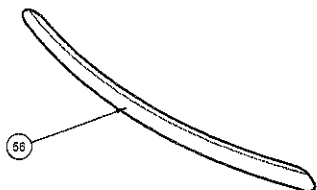
(OPTIONAL ONLY FOR
ELECTRIC GRILL FS GAS)



QUELLECUISINIERE.COM

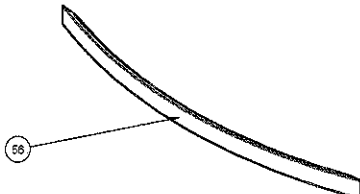
OVEN DOOR HANDLES (OPTIONAL)

HANDLES WITHOUT TAP & BRACKET



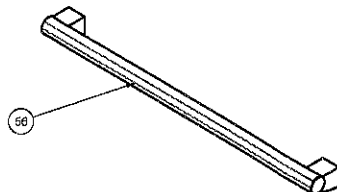
56

ELLIPSE ARC



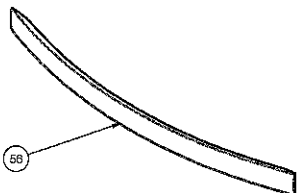
56

D PROFILE ARC



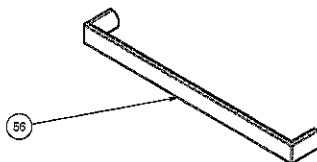
56

METALUX



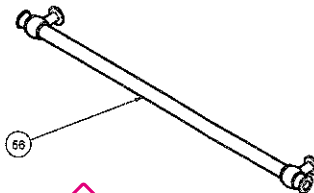
56

D PROFILE ARC, ELECTROLUX
(ONLY FOR FS - OPTIONAL)



56

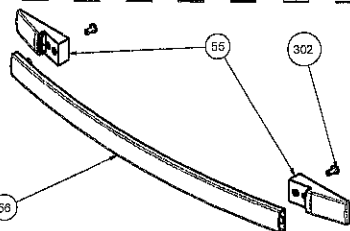
FNP
(ONLY FOR BUILT-IN - OPTIONAL)



56

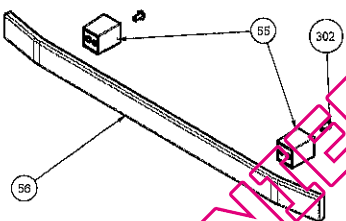
RUSTIC

HANDLES WITH BRACKET



56

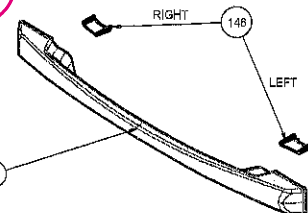
ARC QUADRANGLE



56

3D QUADRANGLE
(ONLY FOR FS/NEW G/BUILT-IN - OPTIONAL)

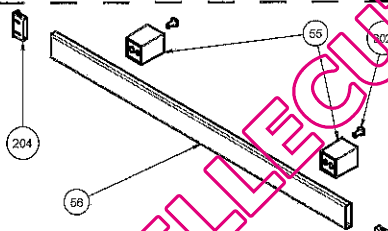
HANDLES WITH TUNNEL TAP



56

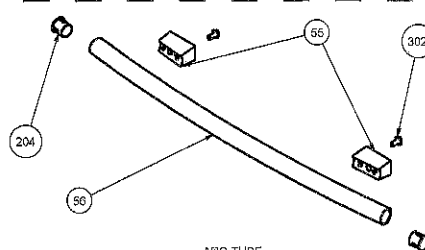
NO FAN TYPE
(ONLY FOR BUILT-IN - OPTIONAL)

HANDLES WITH TAP & BRACKET



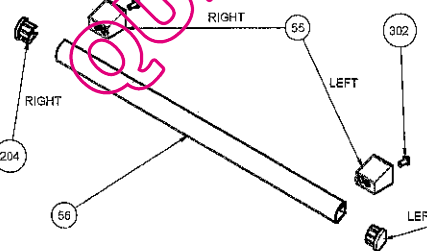
204

FLAT QUADRANGLE
(ONLY FOR FS/NEW G/BUILT-IN - OPTIONAL)



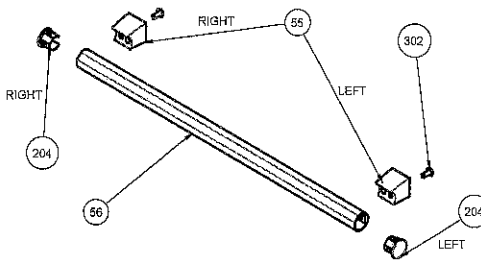
204

ARC TUBE



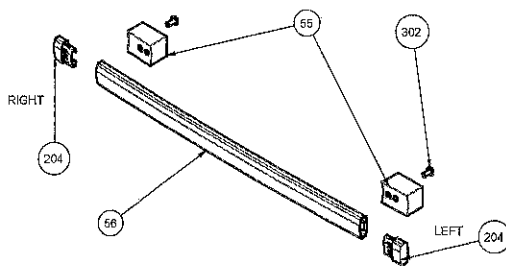
204

FLAT SLICE



204

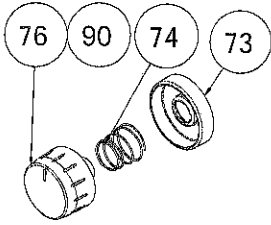
TRIO



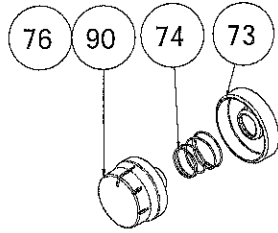
204

CURVED QUADRANGLE

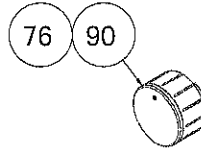
KNOBS (ONLY FOR NEW G - OPTIONAL)



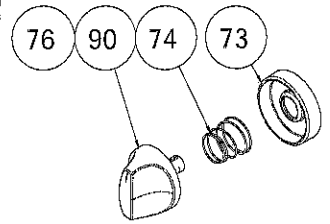
OMEGA



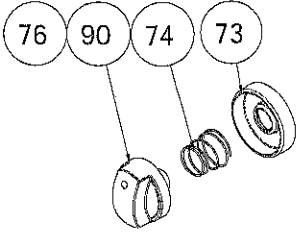
EPSILON



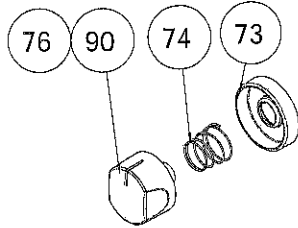
BIG MACRO
(ONLY FOR NEW G ELECTRIC/
NEW G VITROCERAMIC - OPTIONAL)



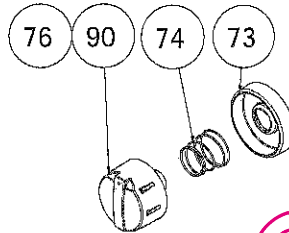
GAMA RING



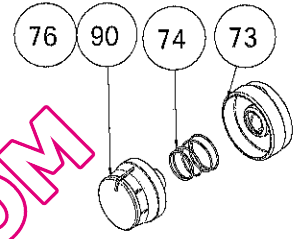
ECLIPSE RING



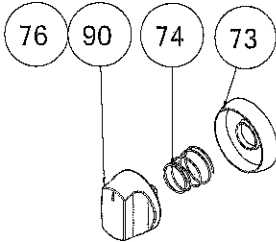
RIMO



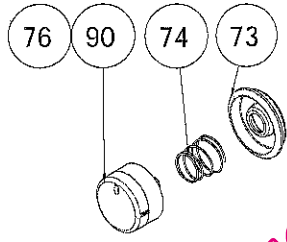
ANTERO



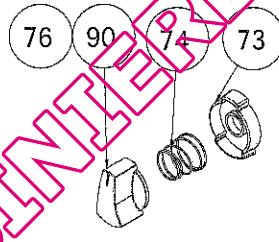
SPECTRUM



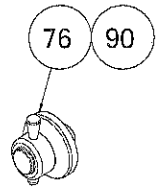
TRIO



SIGMA



DELTA RING



RUSTIC RISUS

QUELLECUISINTERPRE.COM