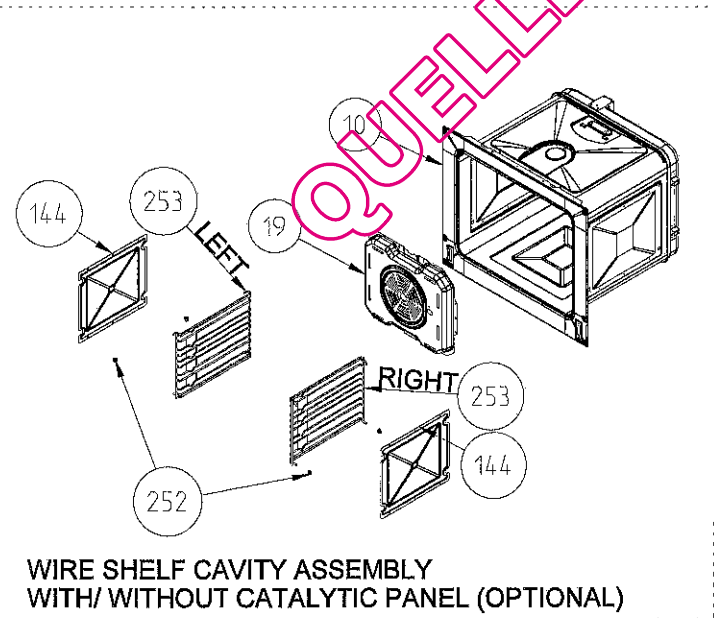
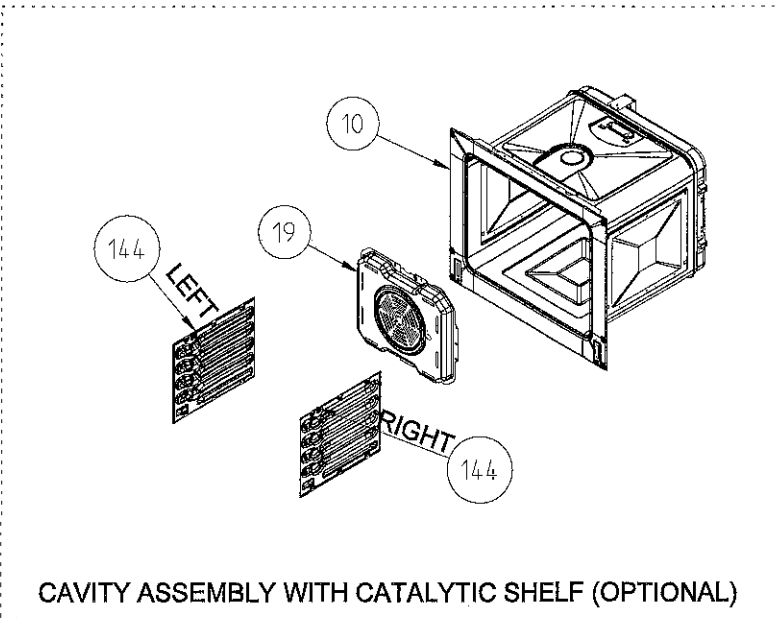


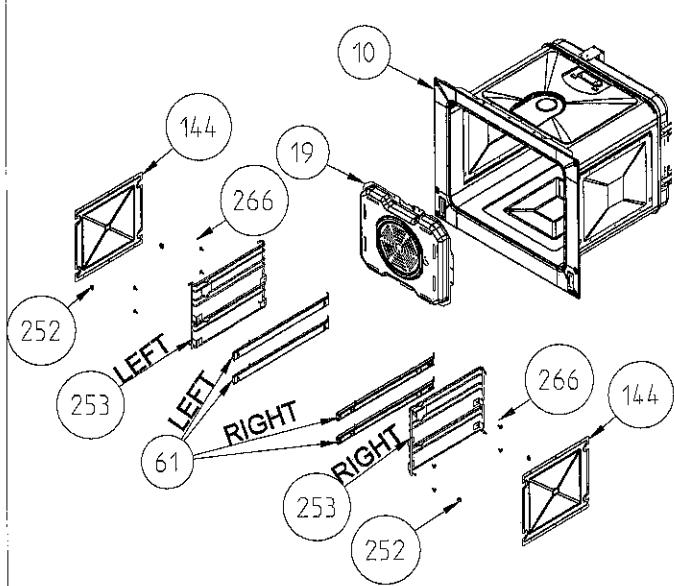
QUELLECUISTINIERS.COM



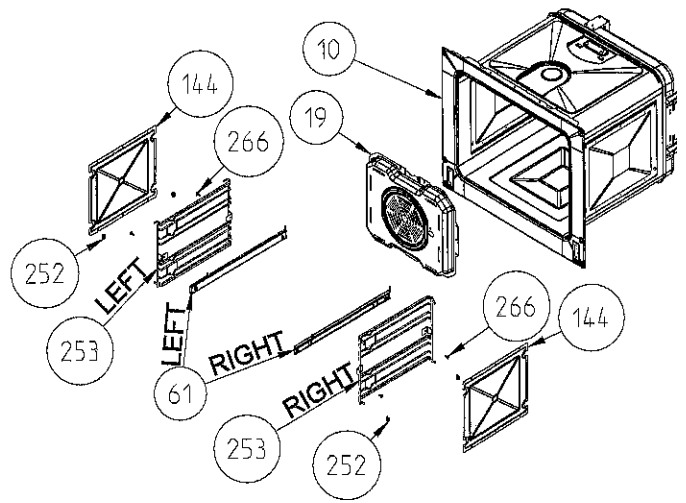
WIRE SHELF CAVITY ASSEMBLY WITH/ WITHOUT CATALYTIC PANEL (OPTIONAL)



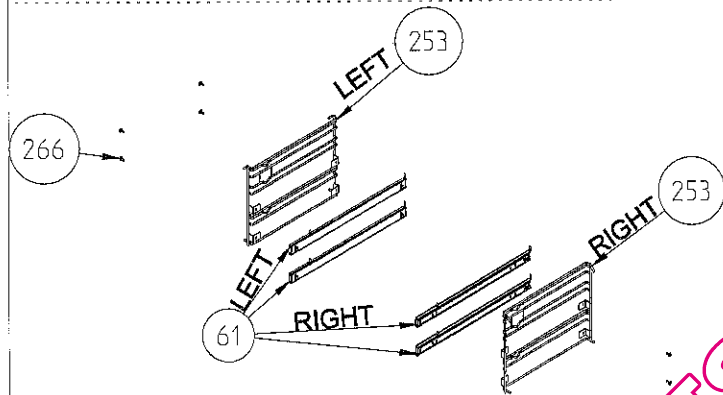
CAVITY ASSEMBLY WITH CATALYTIC SHELF (OPTIONAL)



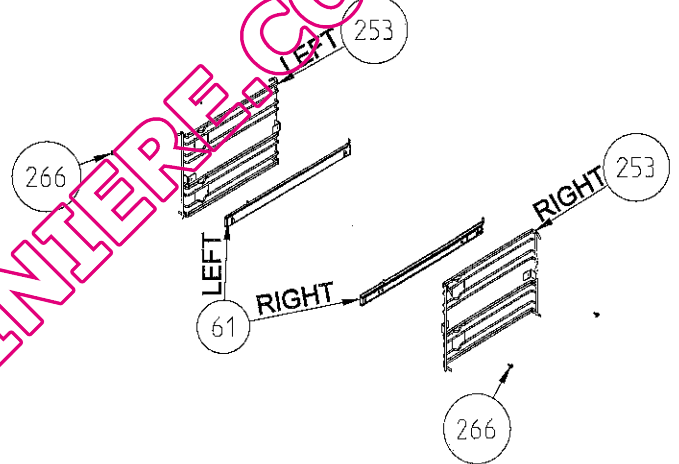
WIRE SHELF CAVITY ASSEMBLY
WITH/ WITHOUT CATALYTIC PANEL
OPTIONAL: DOUBLE TELESCOPIC RAIL (R / L)



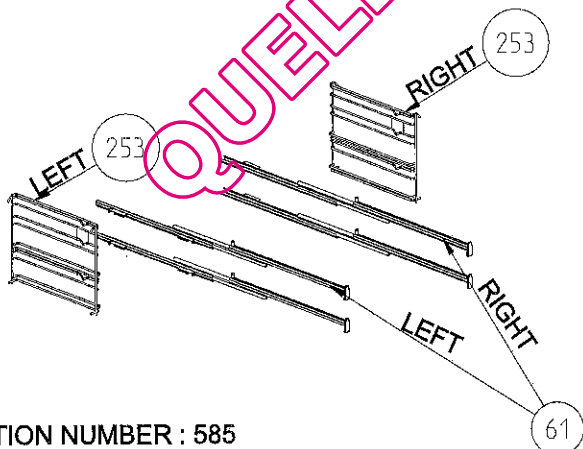
WIRE SHELF CAVITY ASSEMBLY
WITH/ WITHOUT CATALYTIC PANEL
OPTIONAL: TELESCOPIC RAIL (R / L)



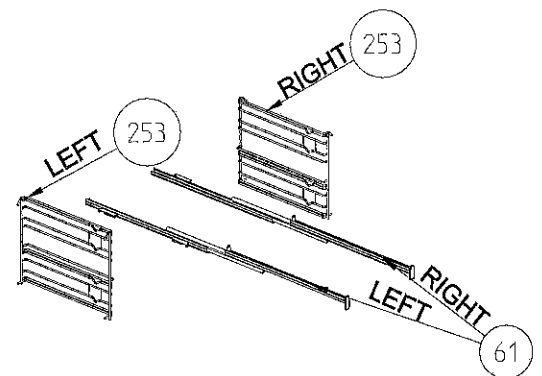
POSITION NUMBER : 587
WIRE SHELF (SINGLE EXTENSION)
OPTIONAL: DOUBLE TELESCOPIC RAIL (R / L) GROUP



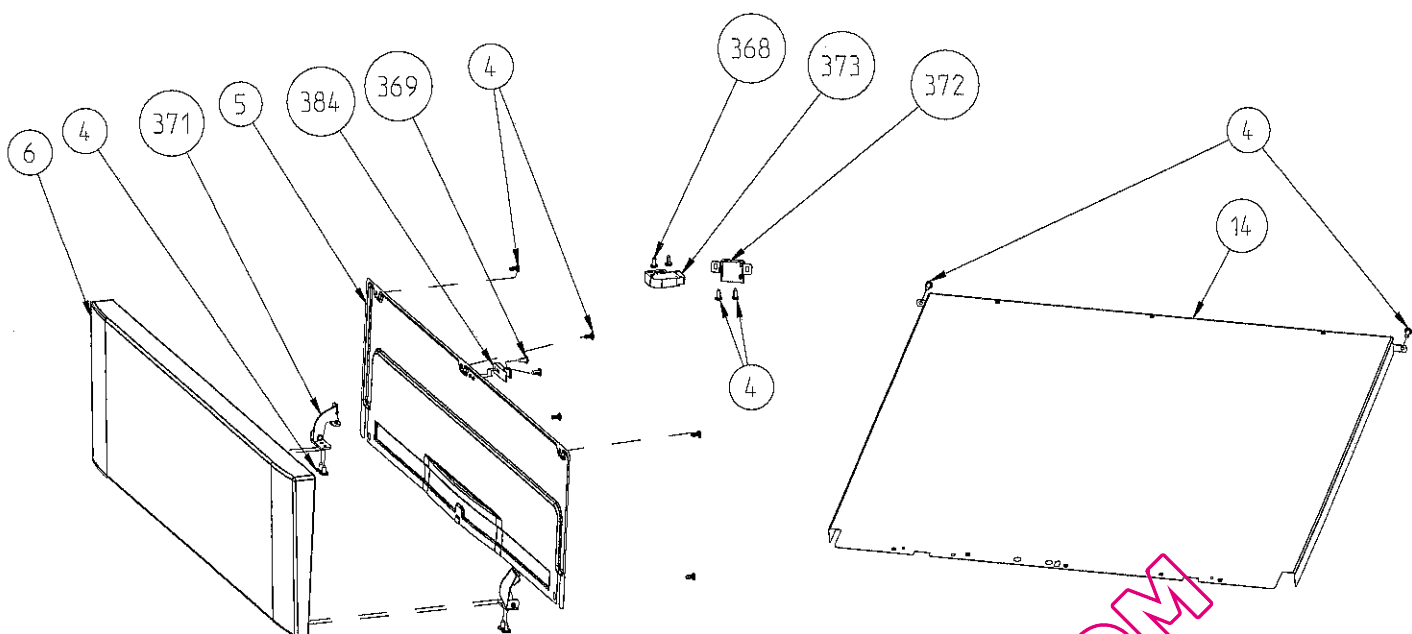
POSITION NUMBER : 588
WIRE SHELF (SINGLE EXTENSION)
OPTIONAL: SINGLE TELESCOPIC RAIL (R / L) GROUP



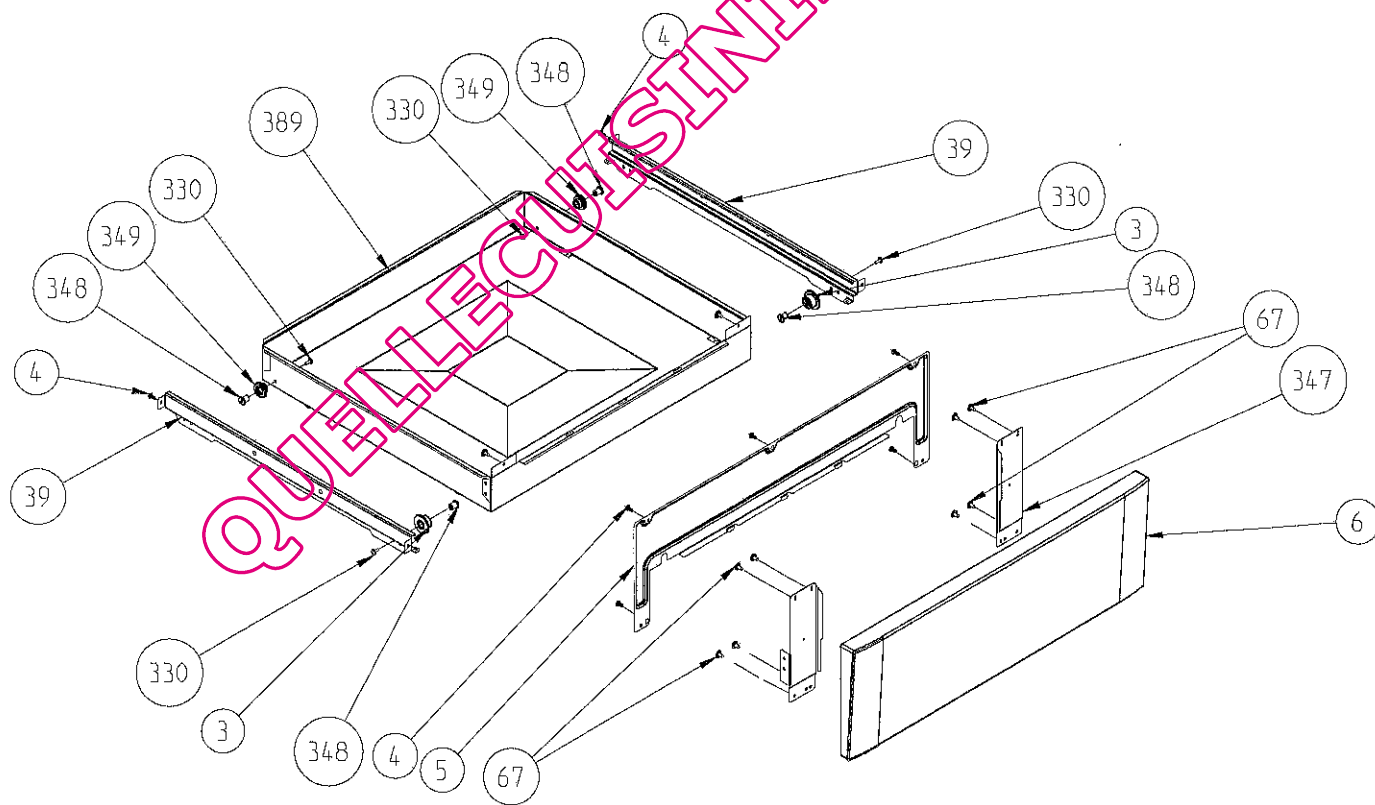
POSITION NUMBER : 585
WIRE SHELF (FULL EXTENSION)
OPTIONAL: DOUBLE TELESCOPIC RAIL (R / L) GROUP



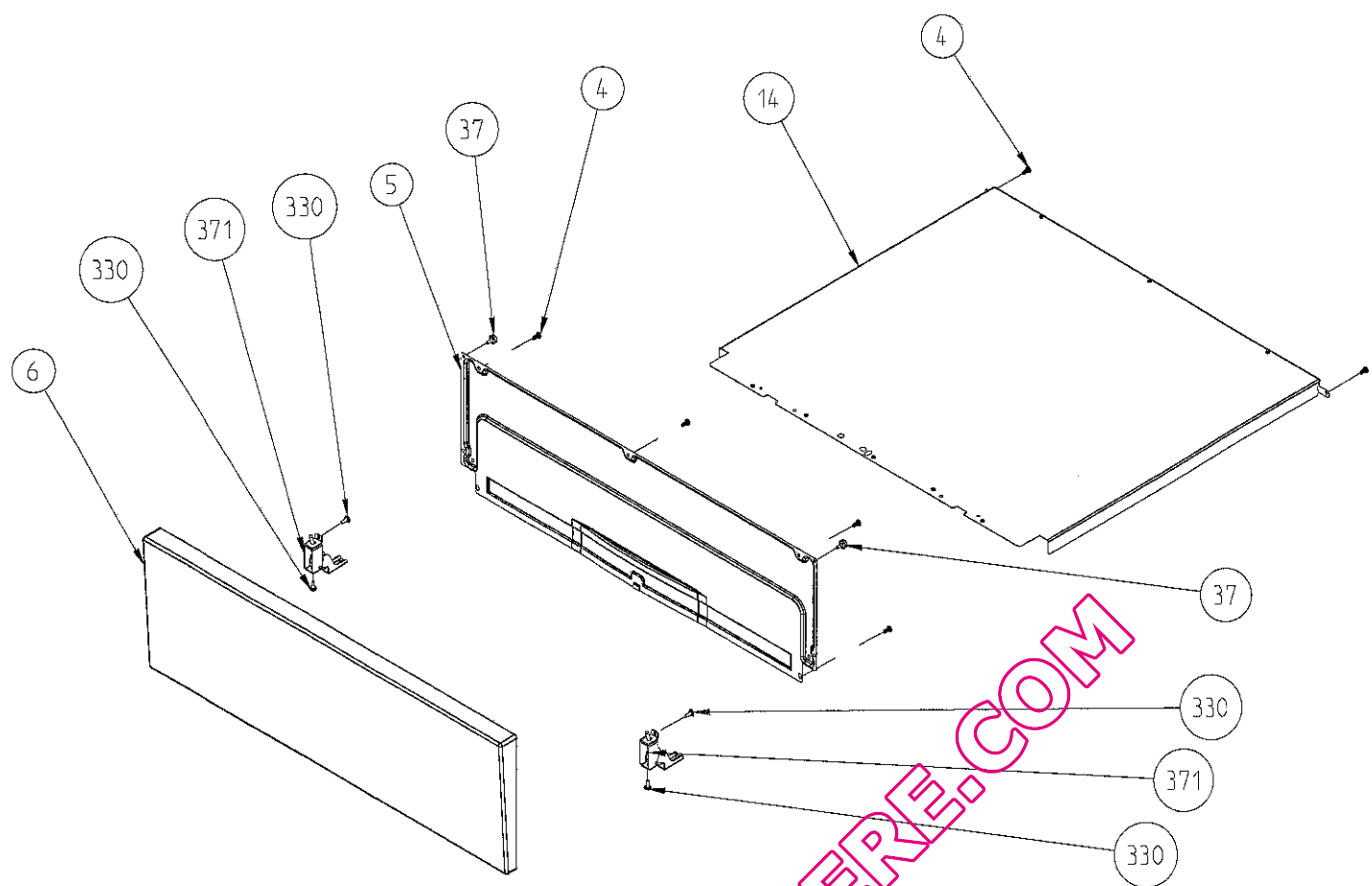
POSITION NUMBER: 586
WIRE SHELF (FULL EXTENSION)
OPTIONAL: SINGLE TELESCOPIC RAIL (R / L) GROUP



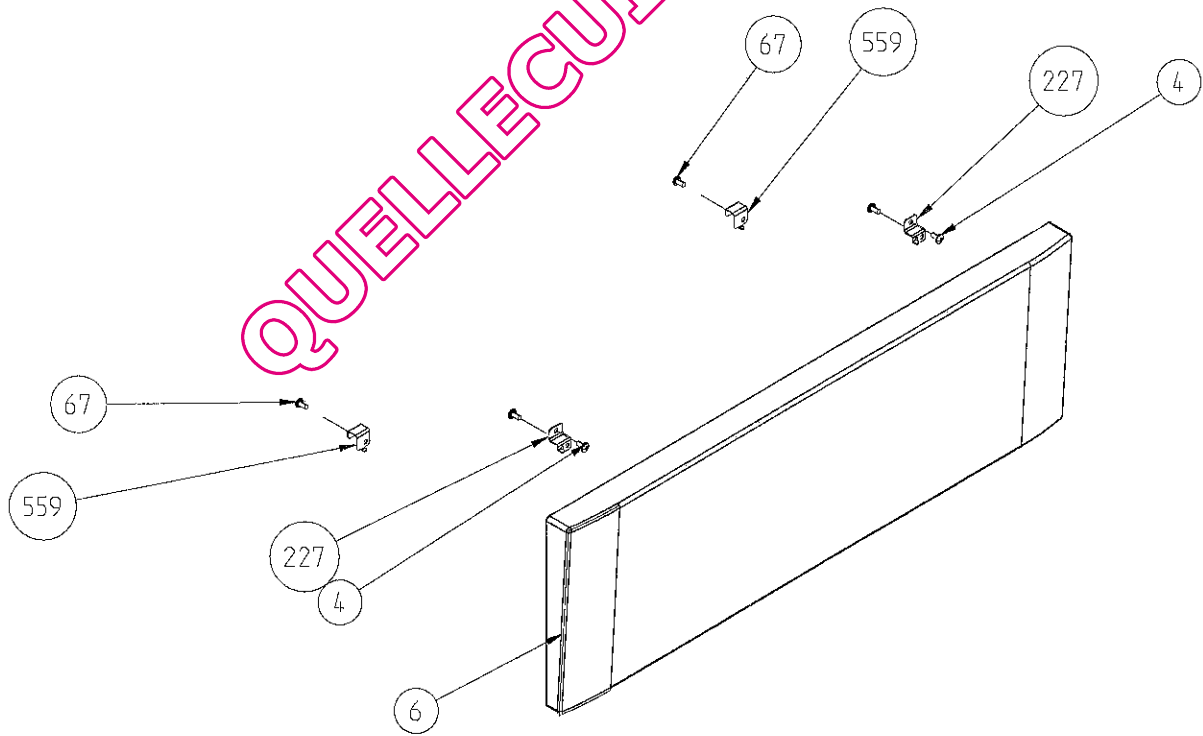
PUSH-PULL FLAP DRAWER ASSEMBLY
(OPTIONAL)



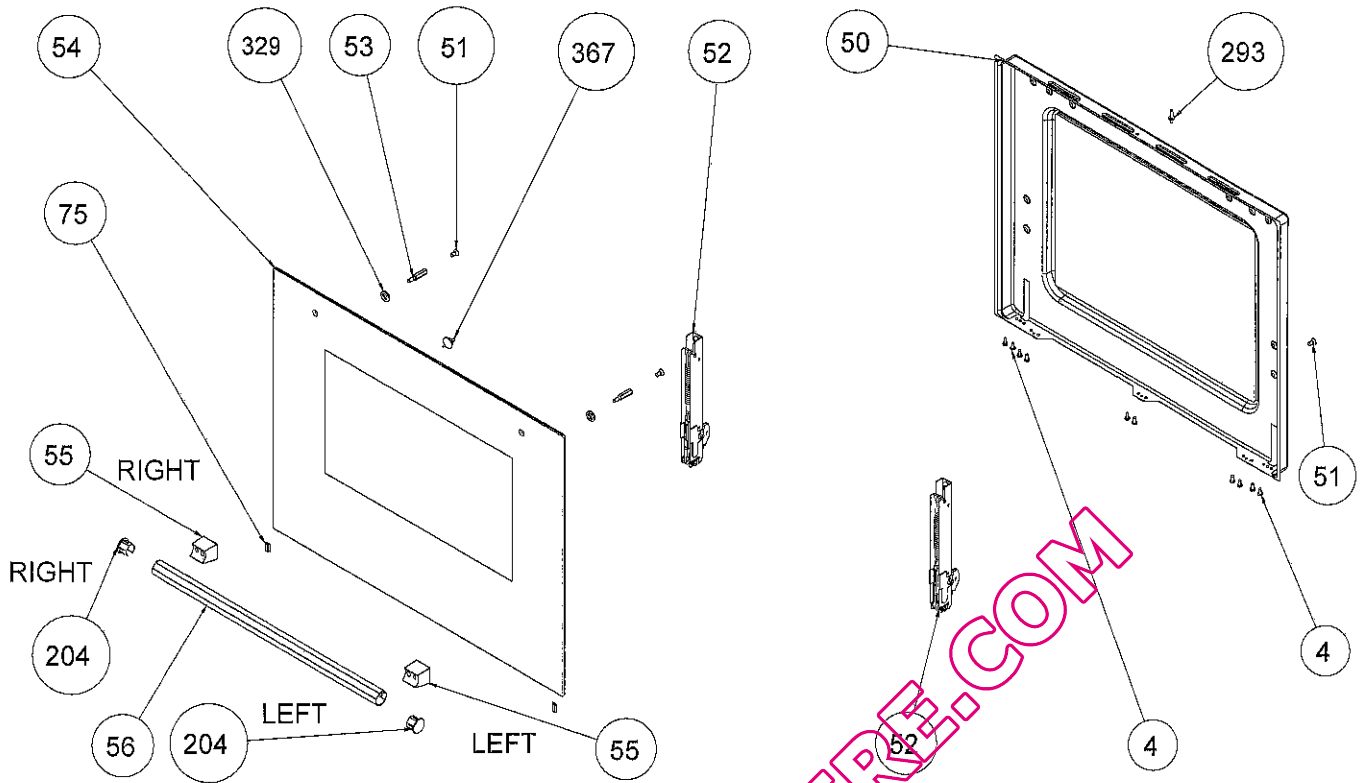
4WG DRAWER ASSEMBLY
(OPTIONAL)



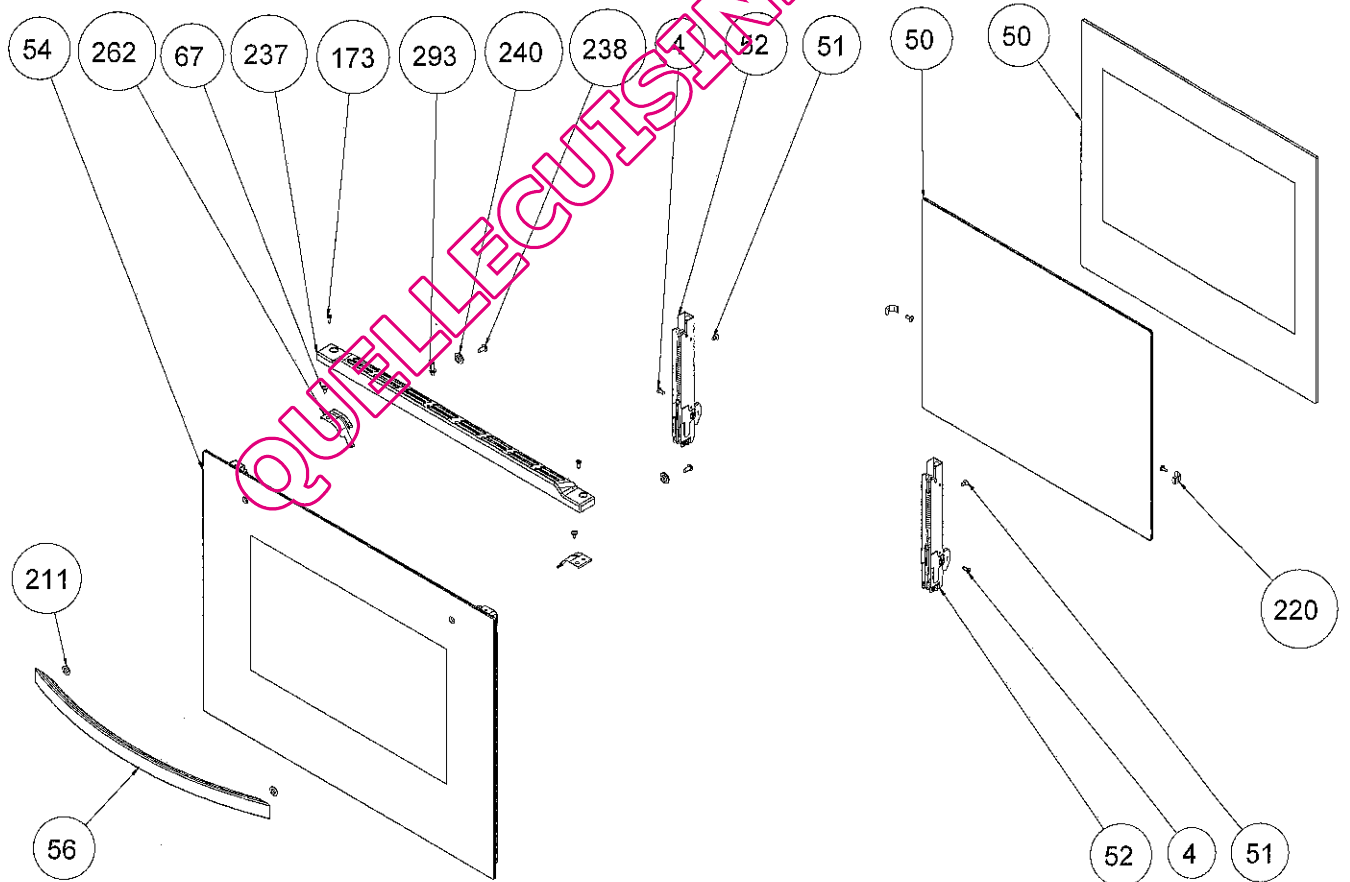
YNTB FLAP DRAWER ASSEMBLY



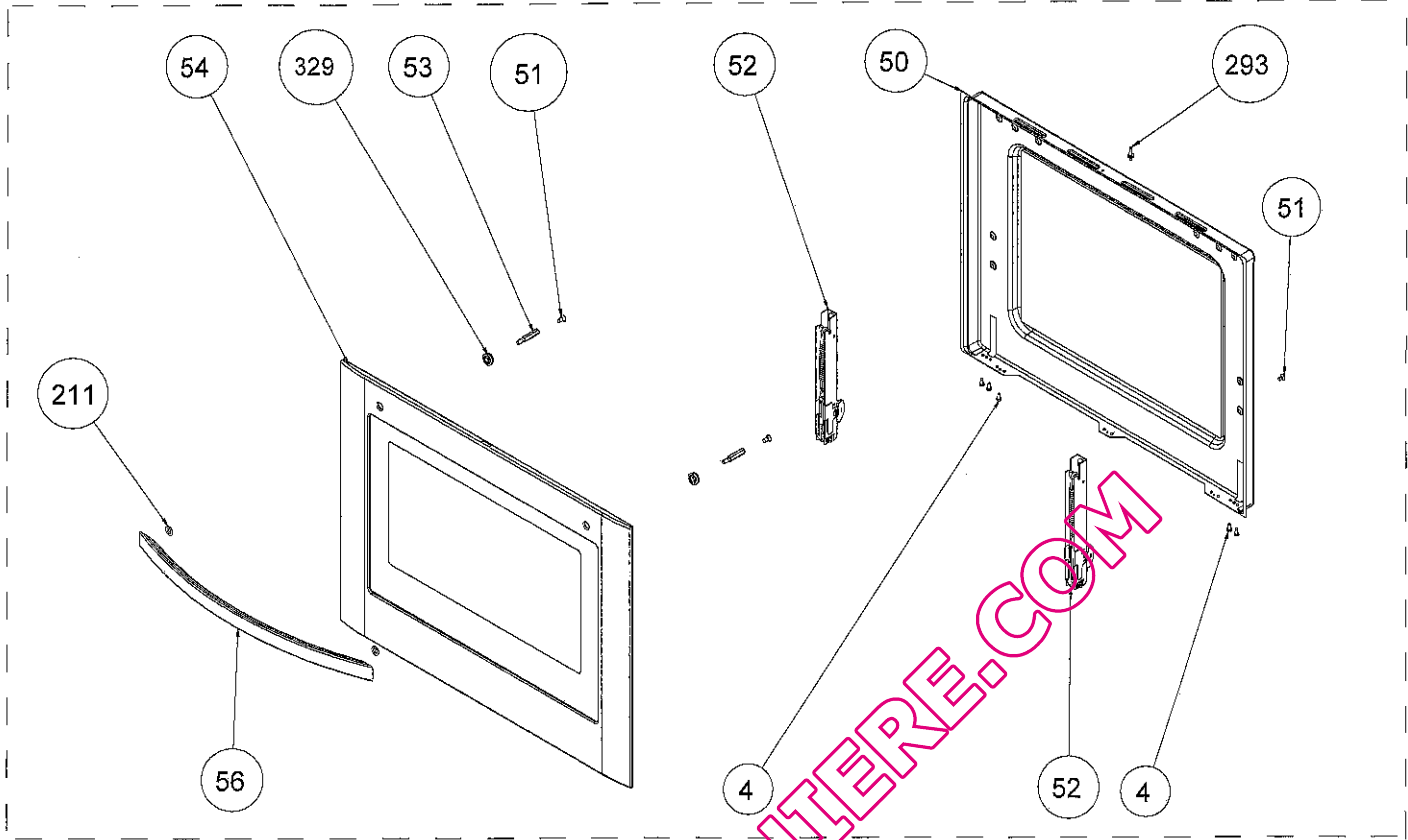
FIXED DRAWER ASSEMBLY
(OPTIONAL)



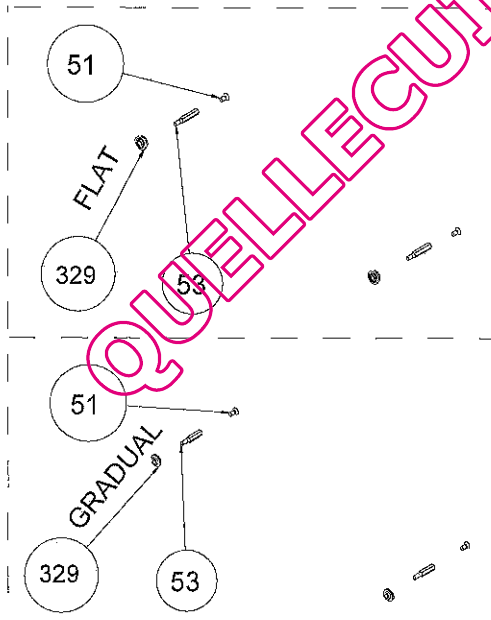
FLAT TYPE OVEN DOOR - POSITION NO 376 (OPTIONAL)



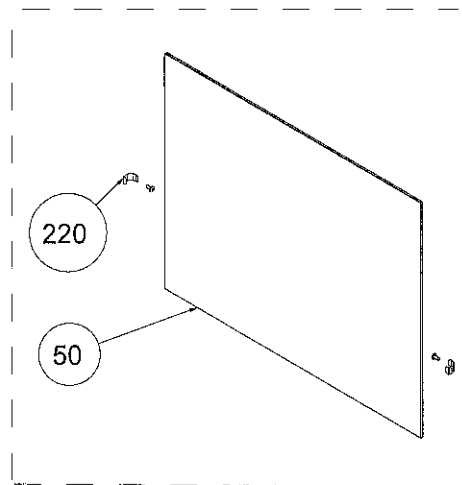
FLAT TYPE OVEN DOOR WITH FULL GLASS STRUCTURE - POSITION NO 377 (OPTIONAL)



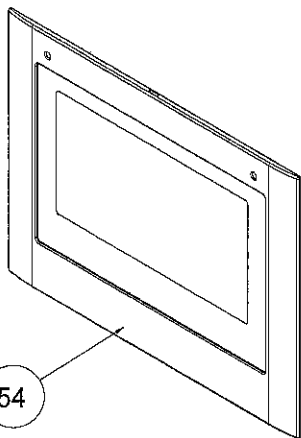
SOLID TYPE - POSITION NO 395 (OPTIONAL)



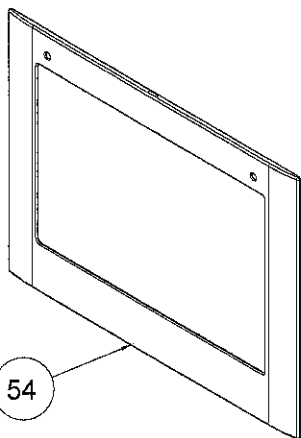
HANDLE ASSEMBLY GROUP -
POSITION NO 49
(OPTIONAL)



INTERVAL GLASS
(ONLY FOR FLAT TYPE OVEN DOOR
WITH FULL GLASS STRUCTURE)
(OPTIONAL)



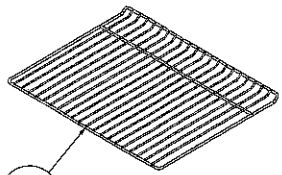
OBLIQUE AESTHETIC



FLAT AESTHETIC

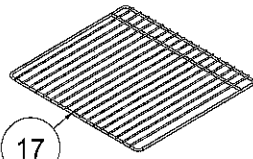
SOLID TYPE - POSITION NO 54 (OPTIONAL)

QUELLECUISINIERE.COM



17

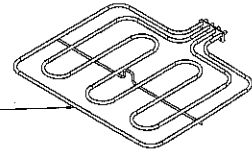
LOCKED



17

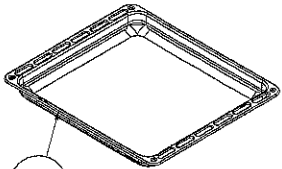
W. TELESCOPIC RAIL

GRID (OPTIONAL)



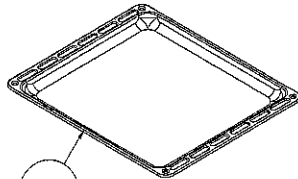
112

TOP AND GRILL HEATING ELEMENT (OPTIONAL)



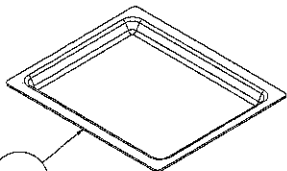
15

DEEP



15

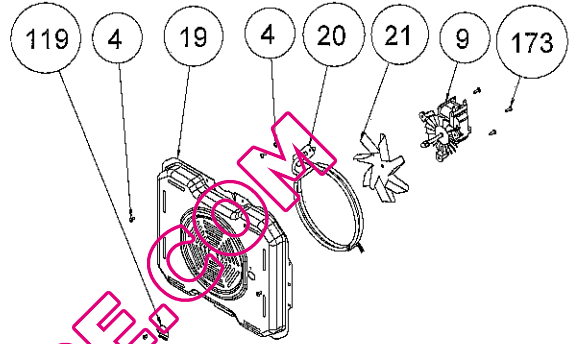
SHALLOW



15

GLASS

TRAYS (OPTIONAL)



119

4

19

4

20

21

9

173

RING HEATING ELEMENT WITH FAN (OPTIONAL)

119

4

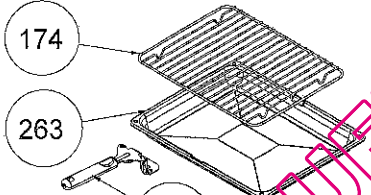
19

21

9

173

(FAN COVER/ FAN IMPELLER(6 WINGS) / FAN MOTOR) (OPTIONAL)



174

263

264

GRILL PAN AND HANDLE SET (TRAY SET FOR GRILL) - POSITION NO 265 (OPTIONAL)

479

18

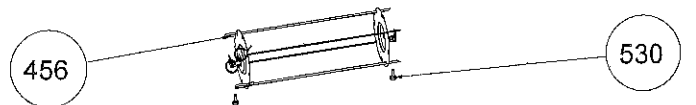
THERMIST BULB HOLDER/BACKET

EXPLODED VIEW - CAVITY ASSEMBLY



116

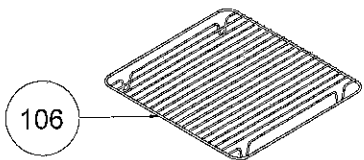
TURNSPIT SKEWER



456

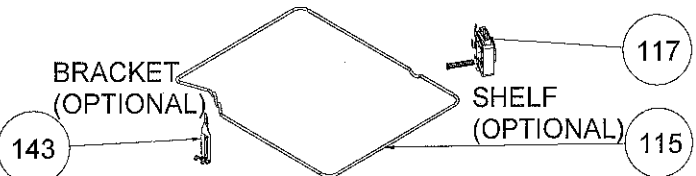
530

SHISH KEBAB ACCESSORY (OPTIONAL)



106

DEEP TRAY GRID (OPTIONAL)



143

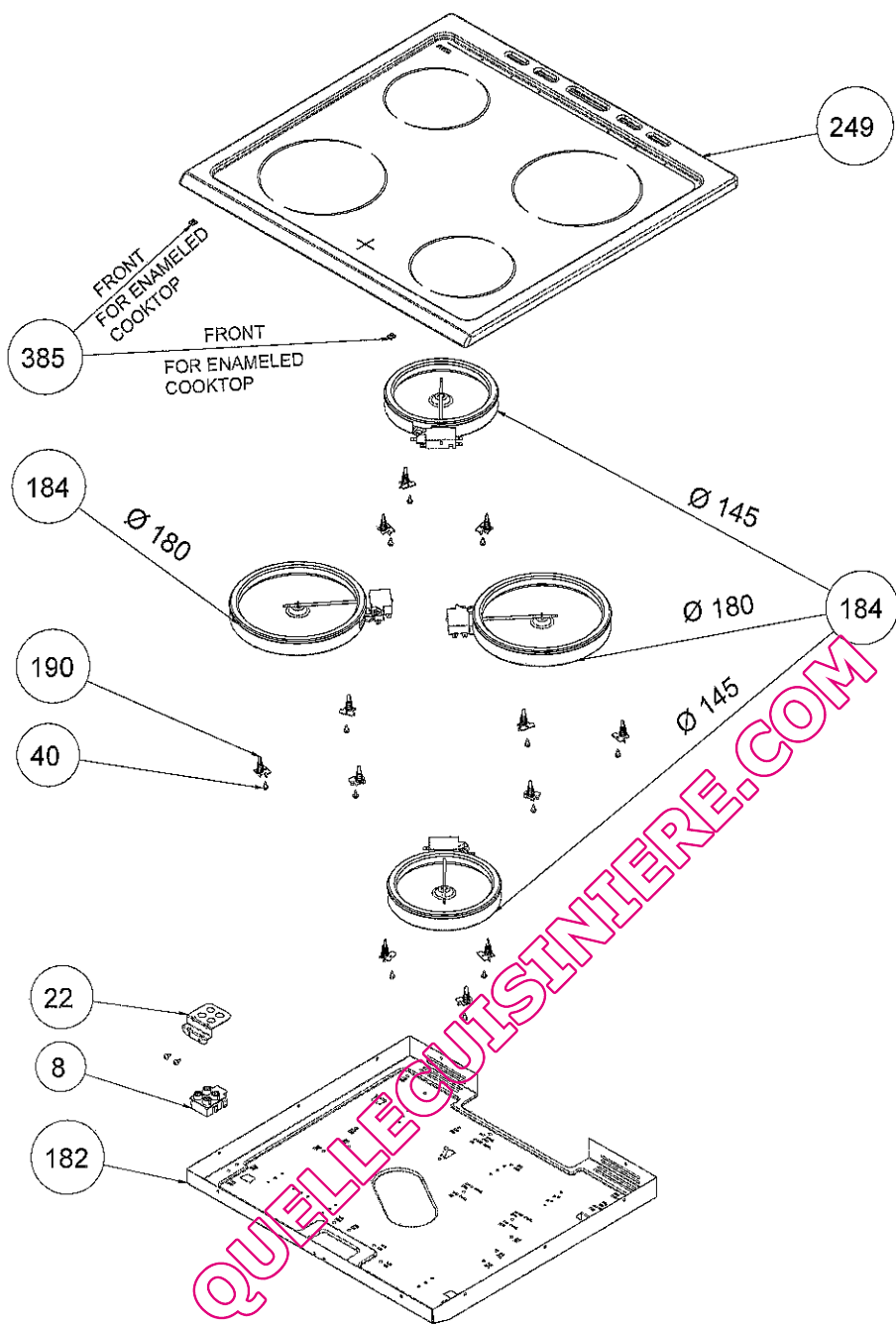
BRACKET (OPTIONAL)

117

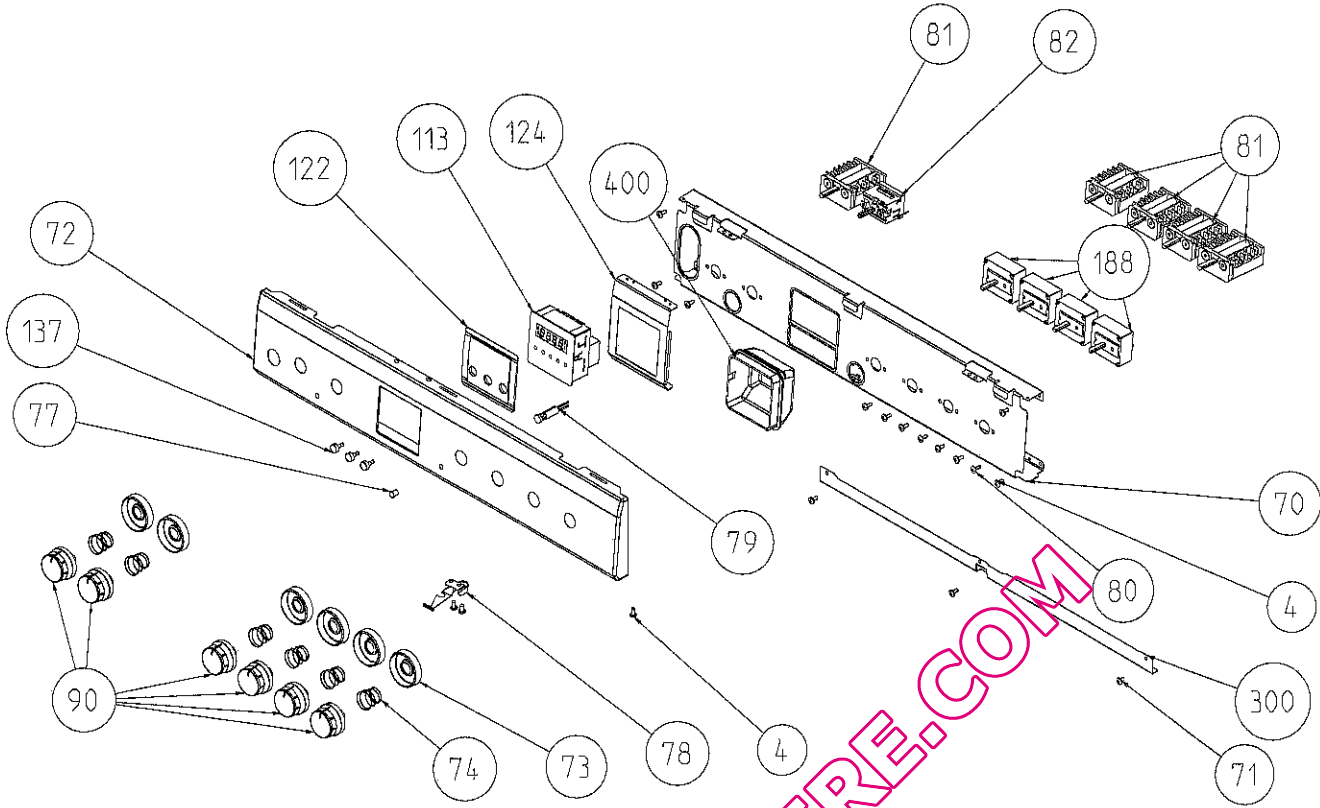
SHELF (OPTIONAL)

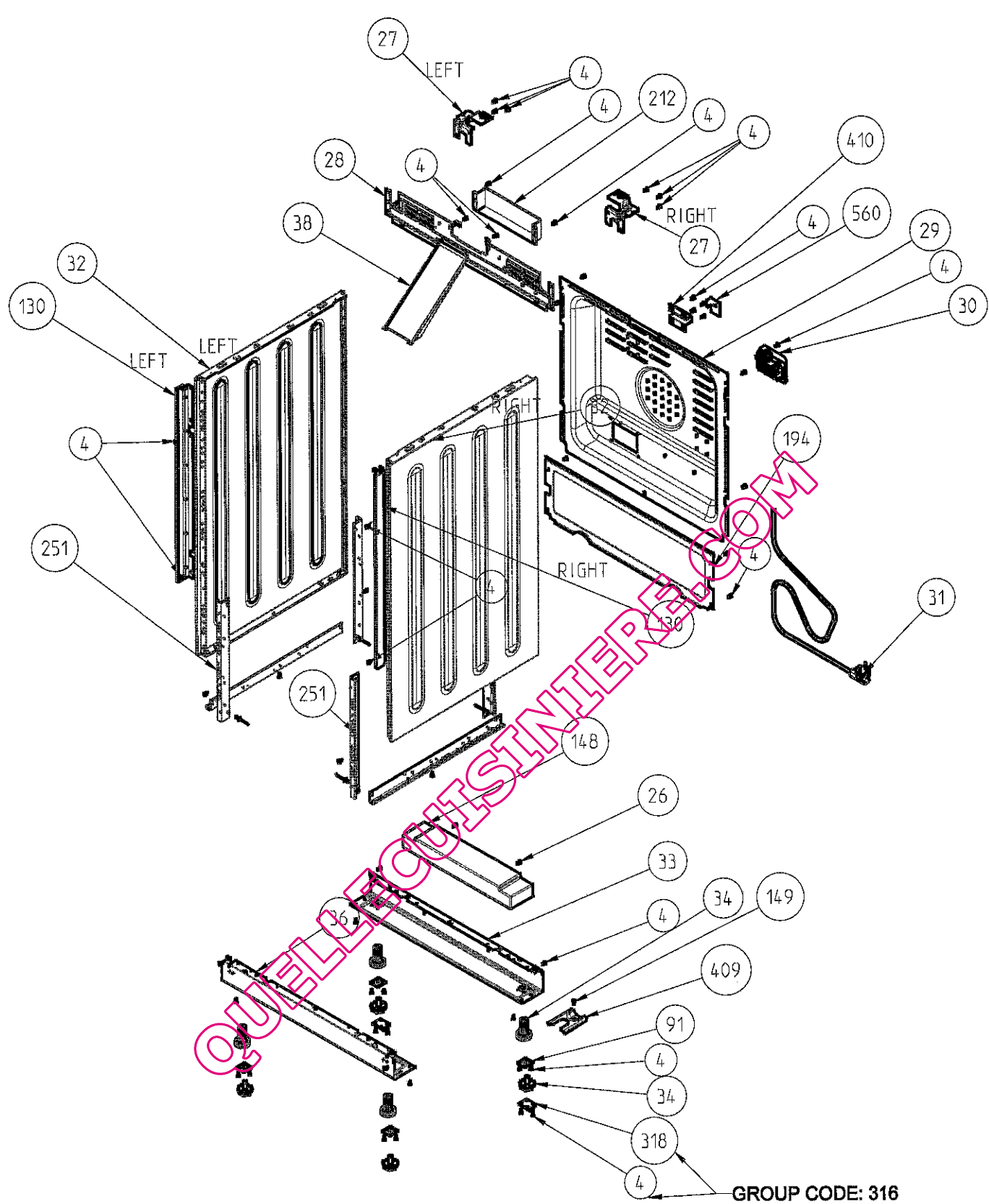
115

TURNSPIT (OPTIONAL)

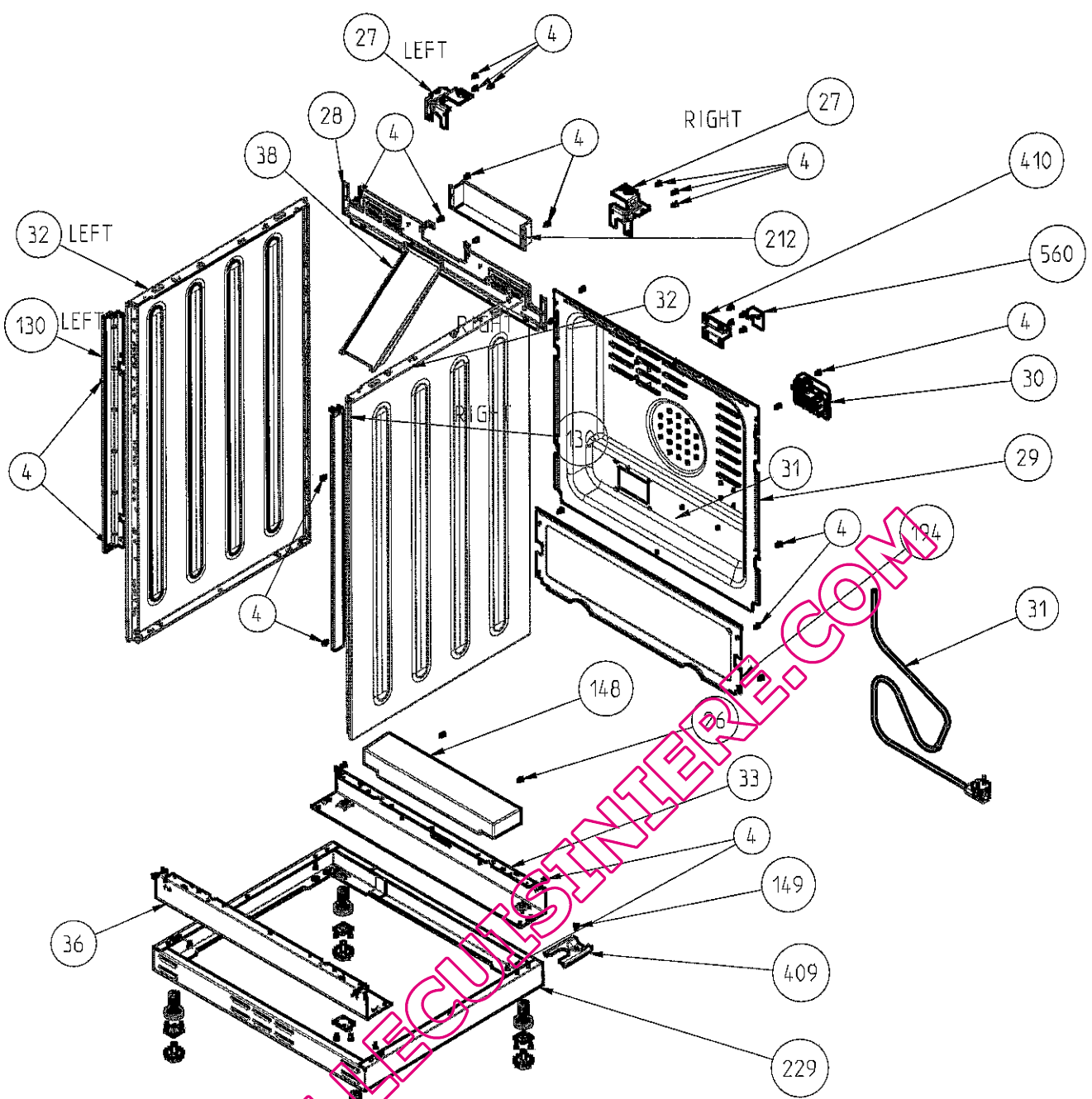


EXPLODED VIEW - COOKTOP ASSEMBLY

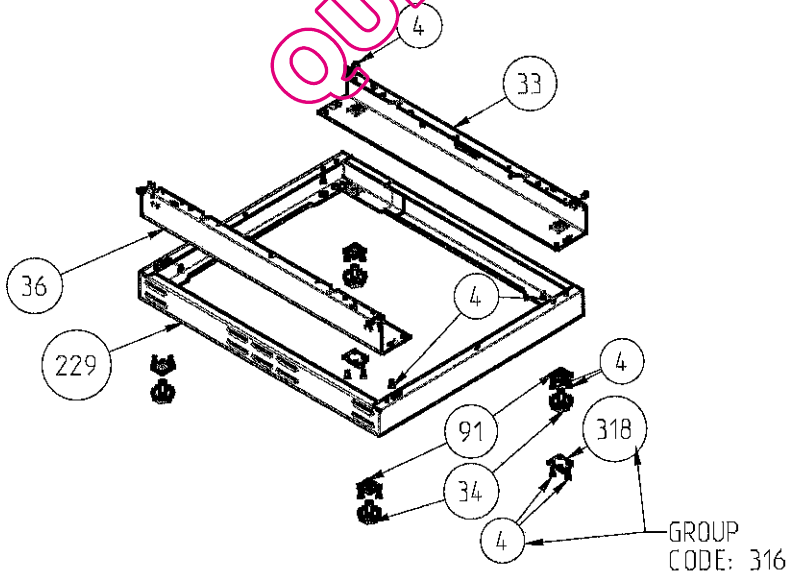




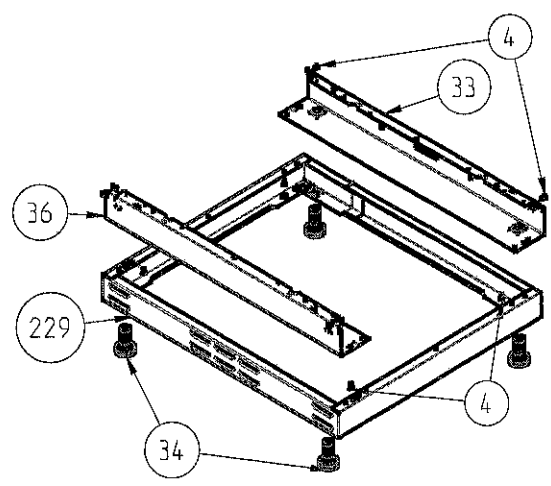
YNTB 85 CM SIDE PANEL ASSEMBLY



SIDE PANEL ASSEMBLY

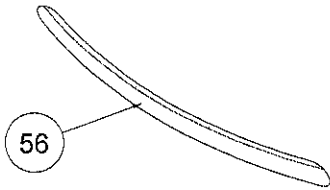


METAL BOLT ADJUSTABLE LEG



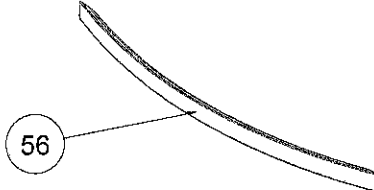
STANDARD PLASTIC ADJUSTABLE LEG

OVEN DOOR HANDLES (OPTIONAL)
HANDLES WITHOUT TAP & BRACKET



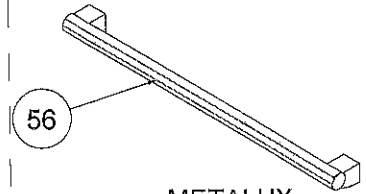
56

ELLIPSE ARC



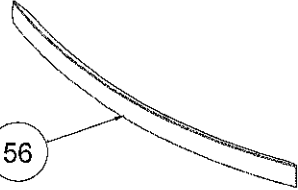
56

D PROFILE ARC



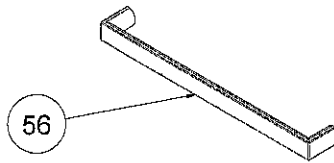
56

METALUX



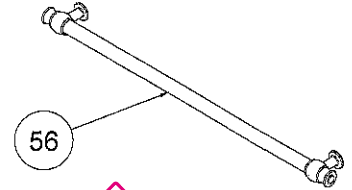
56

D PROFILE ARC, ELECTROLUX
(ONLY FOR FS - OPTIONAL)



56

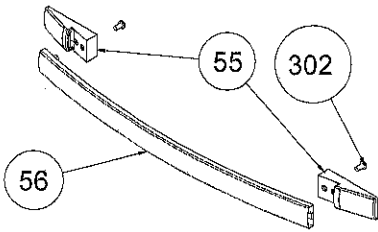
FNP (ONLY FOR BUILT-IN -
OPTIONAL)



56

RUSTIC

HANDLES WITH BRACKET

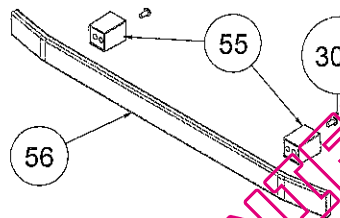


56

55

302

ARC QUADRANGLE



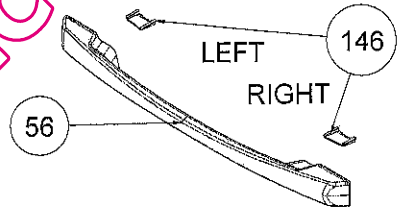
56

55

302

3D QUADRANGLE (ONLY FOR
FS/ NEW G/ BUILT-IN - OPTIONAL)

HANDLES WITH TUNNEL TAP



56

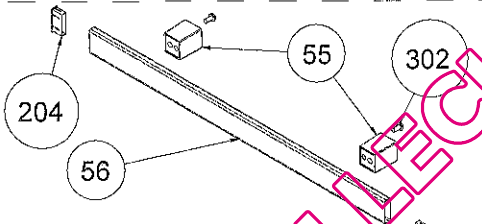
LEFT

RIGHT

146

NO FAN TYPE (ONLY FOR
BUILT-IN - OPTIONAL)

HANDLES WITH TAP & BRACKET



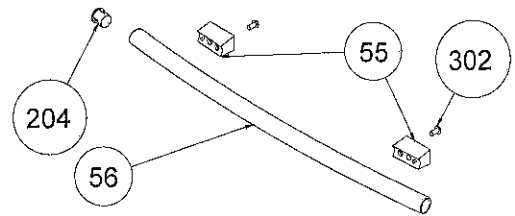
204

56

55

302

FLAT QUADRANGLE
(ONLY FOR FS/ NEW G/ BUILT-IN - OPTIONAL)



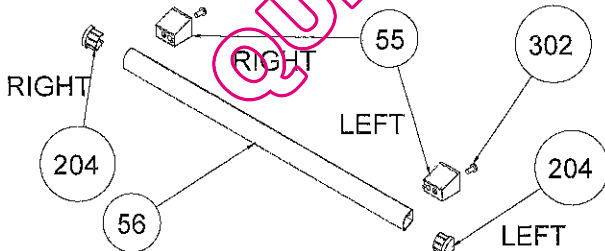
204

56

55

302

ARC TUBE



RIGHT

204

56

RIGHT

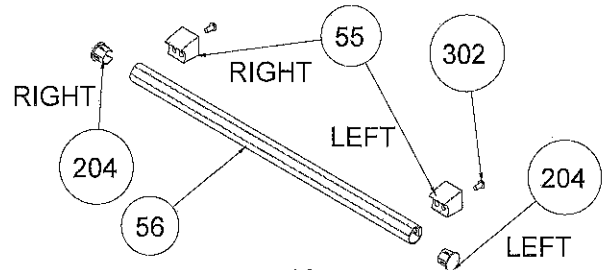
LEFT

55

302

LEFT

FLAT SLICE



RIGHT

204

56

RIGHT

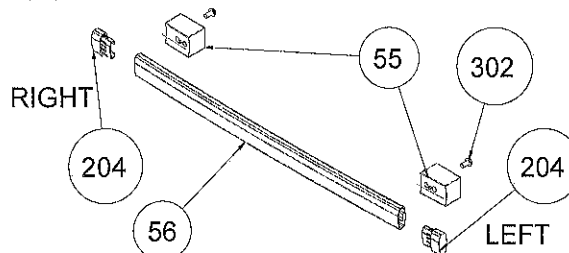
LEFT

55

302

LEFT

TRIO



RIGHT

204

56

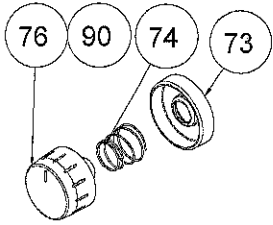
55

302

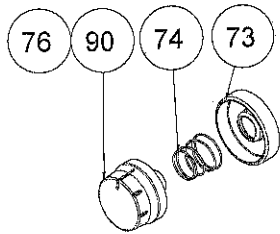
LEFT

CURVED QUADRANGLE

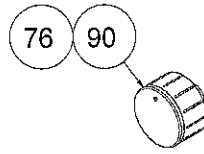
KNOBS (ONLY FOR NEW G - OPTIONAL)



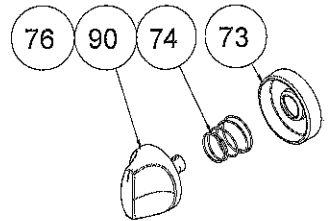
OMEGA



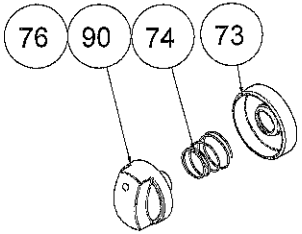
EPSILON



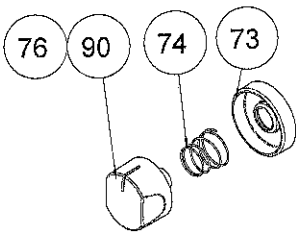
BIG MACRO
(ONLY FOR NEW G ELECTRIC/
NEW G VITROCERAMIC - OPTIONAL)



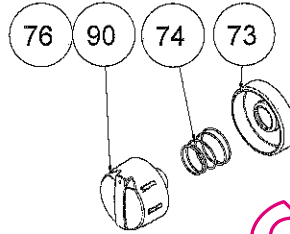
GAMA RING



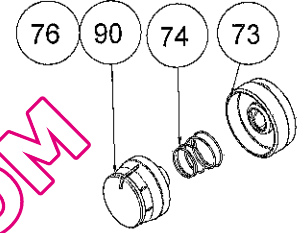
ECLIPSE RING



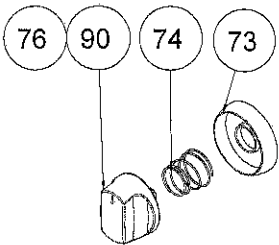
RIMO



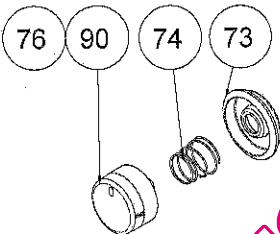
ANTERO



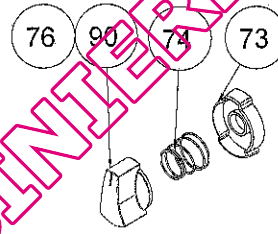
SPECTRUM



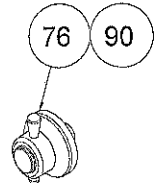
TRIO



SIGMA



DELTA RING



RUSTIC RISUS

QUELLECUISINIERE.COM